

**What's in This Section**

**Standard Windows** ..... **Page 3**

**Parts Illustration** ..... **3**

**Unit Sizes** ..... **4**

**Sash** ..... **5**

        Sash Size Table ..... 5

        Sash and Frame Assembly ..... 7

        Weatherstrip ..... 8

**Insect Screens** ..... **9**

        Insect Screens ..... 9

**Hardware** ..... **10**

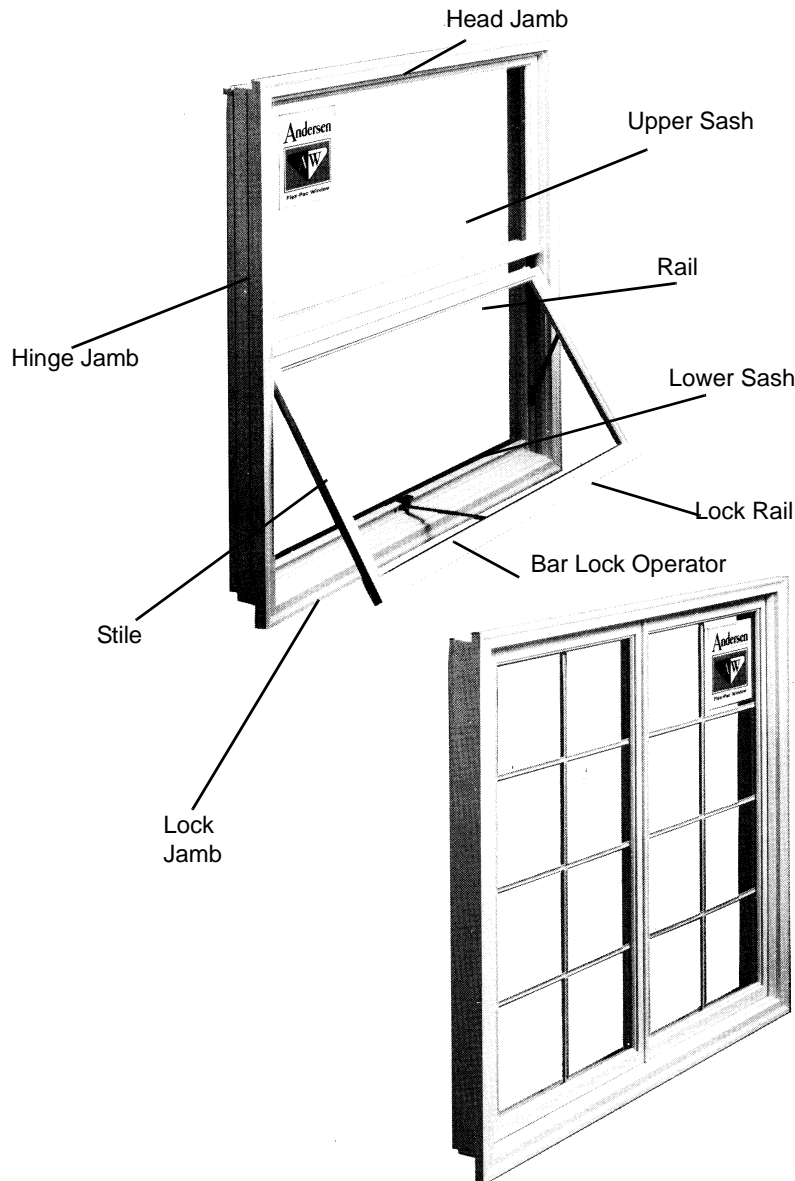
        Operator - Amerock / Bar-Lock / No. 7171 ..... 10



**Unit Parts**

**Note:**

Limited replacement parts are available. Construction is all wood.



**Manufactured 1971 to 1975**

**Flex-Pac Window Unit Parts**

*Unit viewed from exterior.*

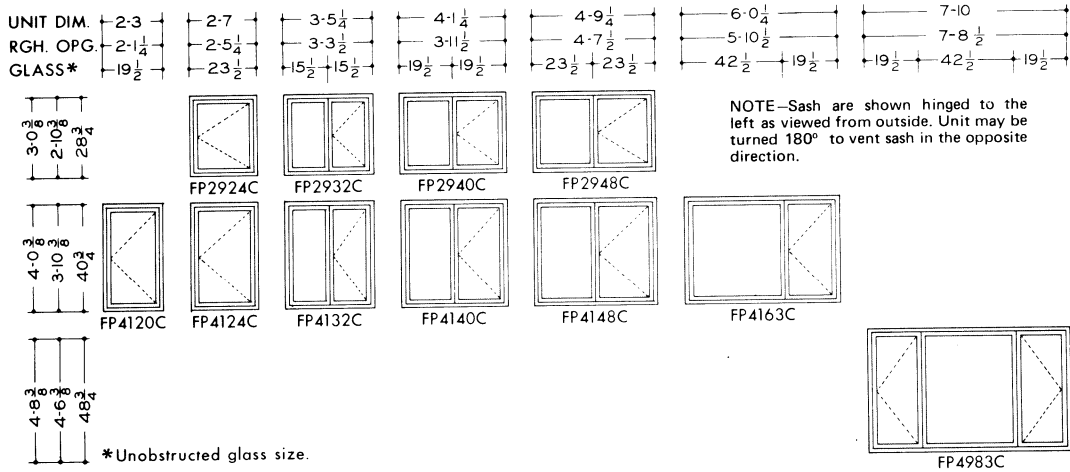
Unit Sizes

Unit Sizes

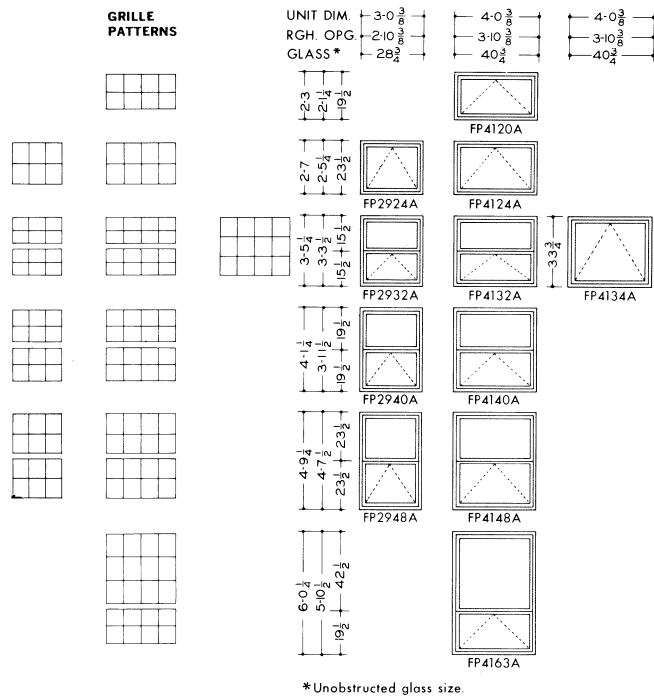
Note:

Unit Dim. refers to overall outside-to-outside frame. Rgh. Opg. refers to rough stud opening. Unobstructed Glass refers to outside edge to outside edge of visible glass only.

Basic Casement Sizes



Basic Awning Sizes



Flex-Pac Window Unit Sizes

Unit viewed from exterior.

## Sash

### Sash Size Table

**Note:**

Upper/Lower Sash is measured outside edge to outside edge of frame.

Unobstructed Glass is dimension from outside edge to outside edge of visible glass only.

Actual Glass is dimension of outside edge to outside edge of glass, including glass that is not visible.

### Sash Size Table - Upper Sash

**Note:**

Replacement sash are not available.

All replacement sash are single pane. All units available for use in Casement or Awning position except FP 4983 and FP 4134.

FP 4983 is available as Casement, only. FP 4134 is available as Awning, only.

Unit No.	Upper Sash (w x h)	Unobstructed Glass (w x h)	Actual Glass (w x h)
FP 2916	32 1/8 x 19	28 7/8 x 15 1/2	29 3/8 x 16
FP 2920	32 1/8 x 23	28 7/8 x 19 1/2	29 3/8 x 20
FP 2924	32 1/8 x 27	28 7/8 x 23 1/2	29 3/8 x 24
FP 2932	32 1/8 x 19	28 7/8 x 15 1/2	29 3/8 x 16
FP 2940	32 1/8 x 23	28 7/8 x 19 1/2	29 3/8 x 20
FP 2948	32 1/8 x 27	28 7/8 x 23 1/2	29 3/8 x 24
FP X2936	32 1/8 x 39	28 7/8 x 35 1/2	29 3/8 x 36
FP 4116	44 1/8 x 19	40 7/8 x 15 1/2	41 3/8 x 16
FP 4120	44 1/8 x 23	40 7/8 x 19 1/2	41 3/8 x 20
FP 4124	44 1/8 x 27	40 7/8 x 23 1/2	41 3/8 x 24
FP 4124C	44 1/8 x 27	40 7/8 x 23 1/2	41 3/8 x 24
FP 4132	44 1/8 x 19	40 7/8 x 15 1/2	41 3/8 x 16
FP 4134A	44 1/8 x 37 7/32	40 7/8 x 33 23/32	41 3/8 x 34 7/32
FP 4136A	44 1/8 x 39	40 7/8 x 35 1/2	41 3/8 x 36
FP 4140	44 1/8 x 23	40 7/8 x 19 1/2	41 3/8 x 20
FP 4148	44 1/8 x 27	40 7/8 x 23 1/2	41 3/8 x 24
FPX 4148C	44 1/8 x 27	40 7/8 x 23 1/2	41 3/8 x 24
FPX 4148A	44 1/8 x 27	40 7/8 x 23 1/2	41 3/8 x 24
FP 4163	44 1/8 x 46	40 7/8 x 42 1/2	41 3/8 x 43
FP 4920	44 1/8 x 23	40 7/8 x 19 1/2	41 3/8 x 20
FP 4983	44 1/8 x 23	40 7/8 x 19 1/2	41 3/8 x 20

## Sash

### Sash Size Table - Lower Sash

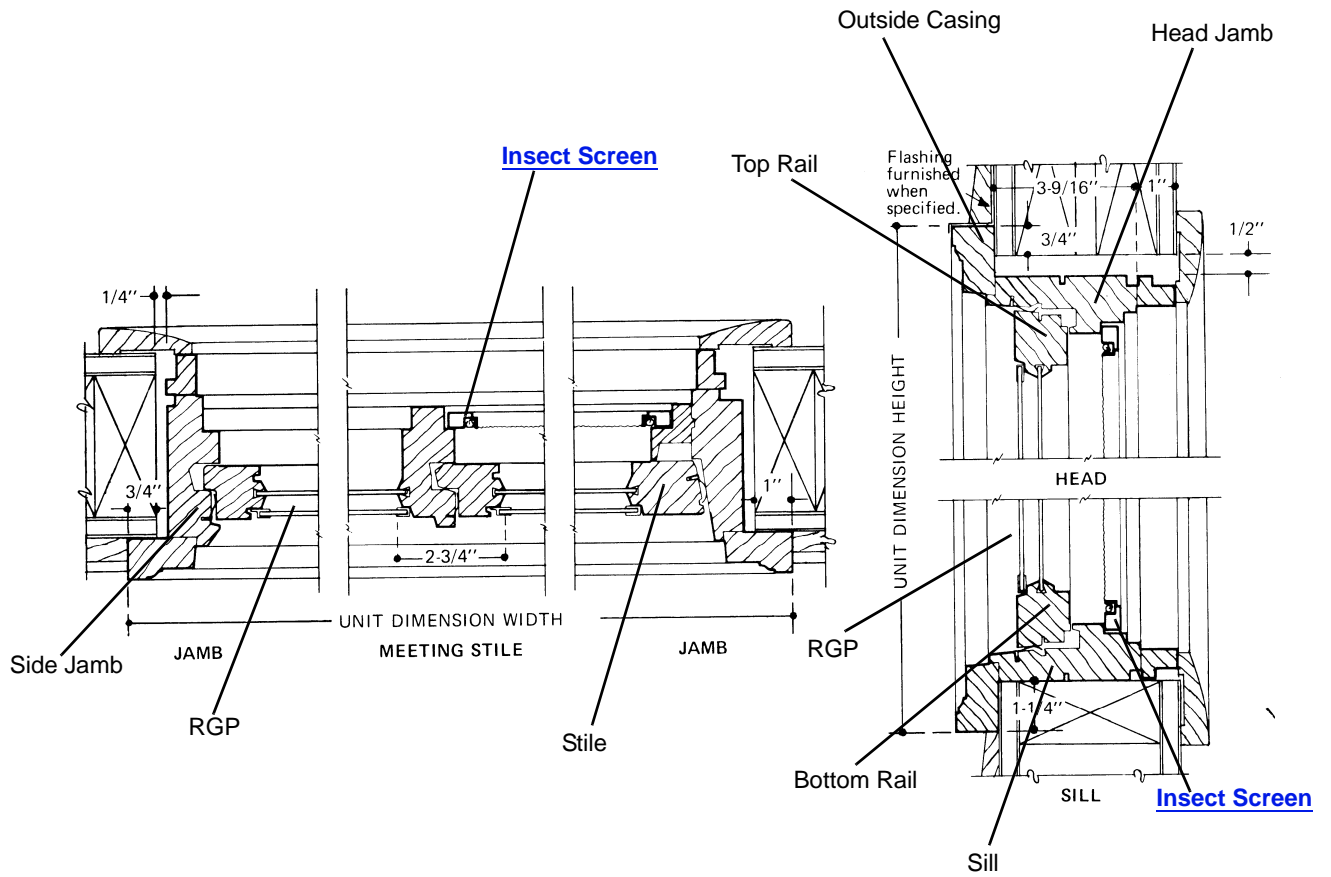
**Note:**

Replacement sash are not available. Sash sizes are provided for identification purposes only.

All units available for use in Casement or Awning position except FP 4983 and FP 4134. FP 4983 is available as Casement, only. FP 4134 is available as Awning, only.

Unit No.	Lower Sash (w x h)	Unobstructed Glass (w x h)	Actual Glass (w x h)
FP 2932	32 1/8 x 19	28 7/8 x 15 1/2	29 3/8 x 16
FP 2940	32 1/8 x 23	28 7/8 x 19 1/2	29 3/8 x 20
FP 2948	32 1/8 x 27	28 7/8 x 23 1/2	29 3/8 x 24
FP 4132	44 1/8 x 19	40 7/8 x 15 1/2	41 3/8 x 16
FP 4120	44 1/8 x 23	40 7/8 x 19 1/2	41 3/8 x 20
FP 4148	44 1/8 x 27	40 7/8 x 23 1/2	41 3/8 x 24
FPX 4148C	44 1/8 x 27	40 7/8 x 23 1/2	41 3/8 x 24
FP 4163	44 1/8 x 46	40 7/8 x 19 1/2	41 3/8 x 20
FP 4983	44 1/8 x 46	40 7/8 x 42 1/2	41 3/8 x 43

### Sash and Frame Assembly



Flex-Pac Window Sash and Frame Assembly

## Sash

Weatherstrip		
Weatherstrip - Head Jamb (Piece)		
<b>Note:</b> Size 29 is no longer available as of 1/1/09.	Unit No.	Gray
	29	N/A
	41	
	49	

Weatherstrip - Stile (Pair)		
<b>Note:</b> Sizes 16-43 no longer available as of 1/1/09.	Unit No.	Gray
	16	N/A
	20	
	24	
	34	
	43	
	52	

Weatherstrip - Lock Rail (Piece)		
<b>Note:</b> Sizes 29-41 no longer available as of 1/1/09.	Unit No.	Gray
	29	N/A
	41	
	49	

Weatherstrip - Transom Rail (Piece)		
<b>Note:</b> Size 29 no longer available as of 1/1/09.	Unit No.	Order No.
	29	N/A
	41	

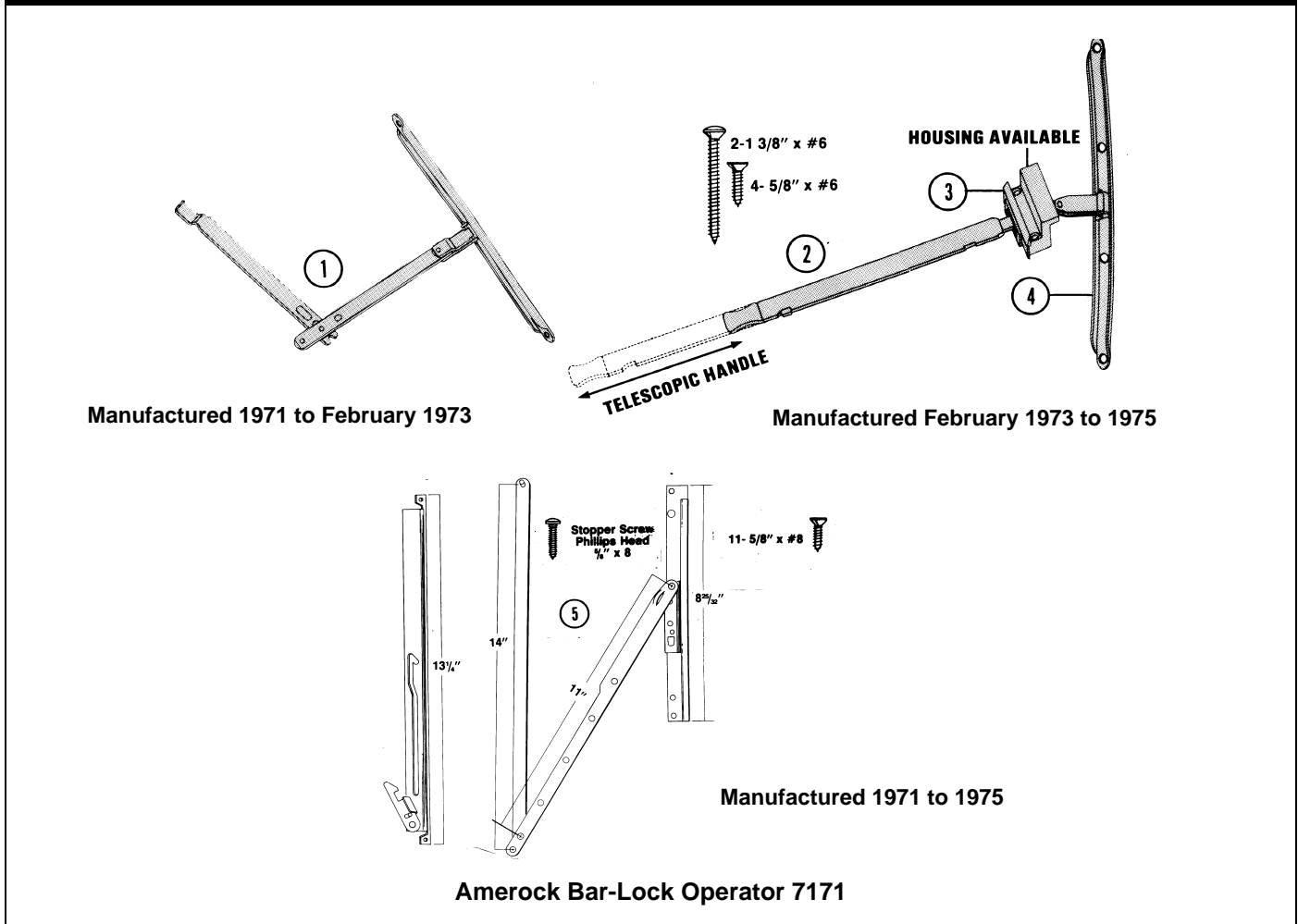


## Insect Screens

<b>Insect Screens</b>					
<b>Insect Screen</b>					
<b>Unit No.</b>	<b>Dimensions (w x h)</b>	<b>Order No.</b>	<b>Unit No.</b>	<b>Dimensions (w x h)</b>	<b>Order No.</b>
<b>2916</b>	$31 \frac{3}{8} \times 17 \frac{15}{16}$	0135912	<b>4124</b>	$43 \frac{3}{8} \times 25 \frac{15}{16}$	0135924
<b>2920</b>	$31 \frac{3}{8} \times 21 \frac{15}{16}$	0135906	<b>4134A</b>	$43 \frac{3}{8} \times 36 \frac{15}{16}$	N/A
<b>2924</b>	$31 \frac{3}{8} \times 25 \frac{15}{16}$	N/A	<b>4136</b>	$43 \frac{3}{8} \times 37 \frac{15}{16}$	0135936
<b>4116</b>	$43 \frac{3}{8} \times 17 \frac{15}{16}$	0135920	<b>4920</b>	$21 \frac{7}{8} \times 51 \frac{3}{8}$	0135932
<b>4120</b>	$43 \frac{3}{8} \times 21 \frac{15}{16}$	0135916	<b>X2936</b>	$31 \frac{3}{8} \times 37 \frac{15}{16}$	0135940

Hardware

**Operator - Amerock / Bar-Lock / No. 7171** (February 1973 to 1975)



**Operator - Amerock / Bar-Lock / No. 7171** (February 1973 to 1975)

**Note:**

Operator manufactured from 1971 to February 1973 is no longer available. Replacement is no longer available as of 1/1/09.

**Operator Housing- Amerock / Bar-Lock / No. 7171** (February 1973 to 1975) Ref. No. 3

**Note:**

No longer available as of 1/1/09.

**Order No.**

N/A

**Hinge Set with Screws - Amerock / Bar-Lock / No. 7171 / Egress** (February 1973 to 1975) Ref. No. 5

**Set includes:**

- 1 pair channels and adjuster arm hinges
- 4 round head screws
- 2 stopper screws
- 4 vinyl washers

**Order No.**

N/A