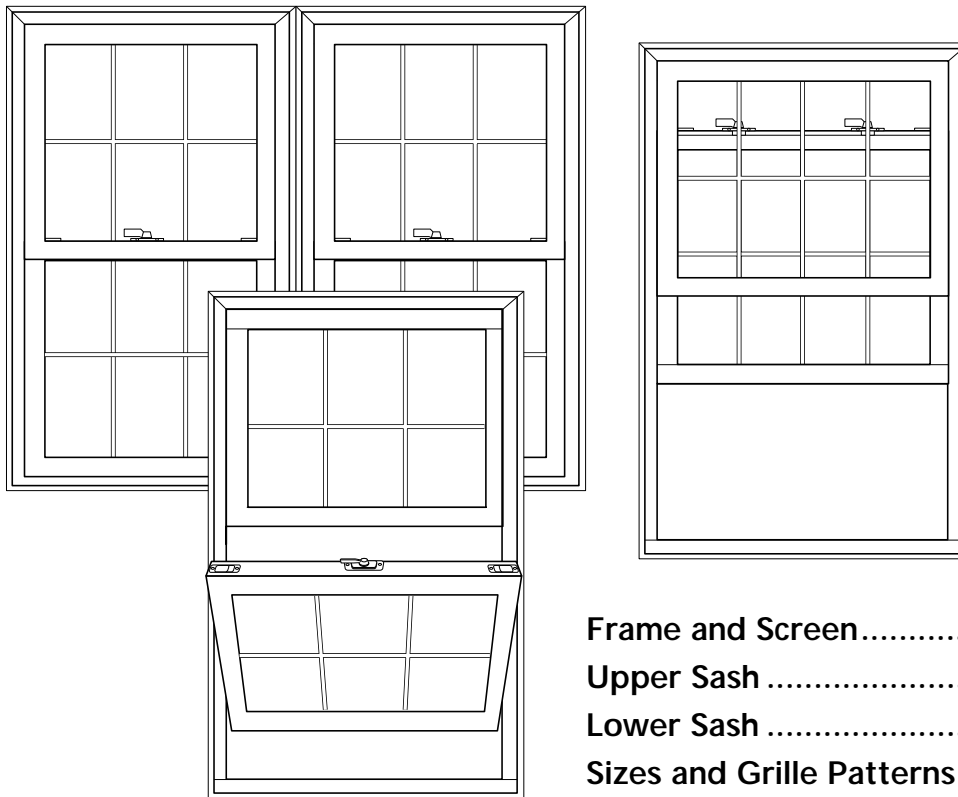




Ariel[®] *Double Hung Tilt Windows*

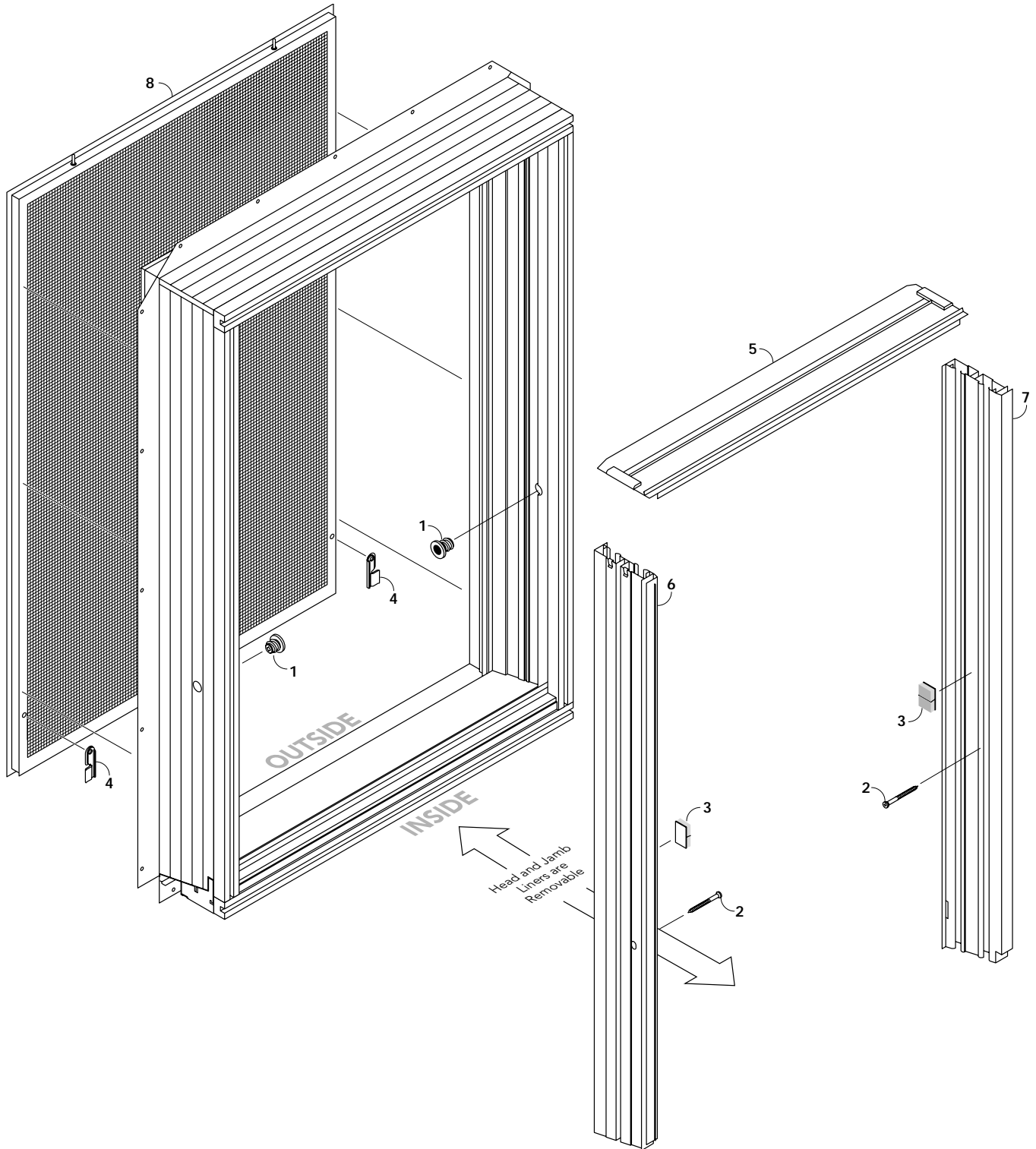
REPLACEMENT PARTS CATALOG



Frame and Screen.....	2
Upper Sash	4
Lower Sash	6
Sizes and Grille Patterns	Back Cover

Notice: The replacement parts shown herein are for the Peachtree Ariel[®] Double Hung Tilt Windows, part of the Vintage[™] Collection. The Ariel double hung tilt window can be identified by its aluminum clad exterior (Colonial White, Sand, Driftwood, Hunter Green or Nature Brown) and its wood interior. This double hung window uses unique removable wood sash liners that incorporate interior wood muntins (when applicable). Ariel double hung tilt windows use 3/4" insulated glass. When ordering replacement glass, please determine the manufacture date of your window unit (see manufacture date label inside insulated glass) so we can best meet your needs.

Ariel® Double Hung Tilt Window Frame & Screen



Part Description		Part Number	Comments
1	Jamb Adjustment Insert	JAI	Trim collar from insert for units installed before 1997
2	Jamb Adjustment Screw	JASP	Special screw only available from Peachtree
3	Jamb Liner Pad	DPAD	(2) required per unit
4	Screen Latch Kit	65470100	Kit includes LH and RH Screen Latches with screws

To order replacement parts, contact your local Peachtree Dealer or call 1-800-PEACH99.

Ariel® Double Hung Tilt Window Frame & Screen

Part Description		Comments
5	Head Liner	<ul style="list-style-type: none"> •To order: Ask for Part Number <u>RHDLR</u>. <input type="checkbox"/> Specify color. <ul style="list-style-type: none"> • Driftwood • White <input type="checkbox"/> Specify window size (see back cover).

Part Description		Comments
6	Left Hand Jamb Liner with Pad	<ul style="list-style-type: none"> •Built-in balance spring design. •To order: Ask for Part Number <u>RJBLNR</u>. <input type="checkbox"/> Specify color. <ul style="list-style-type: none"> • Driftwood • White <input type="checkbox"/> Specify window size (see back cover).

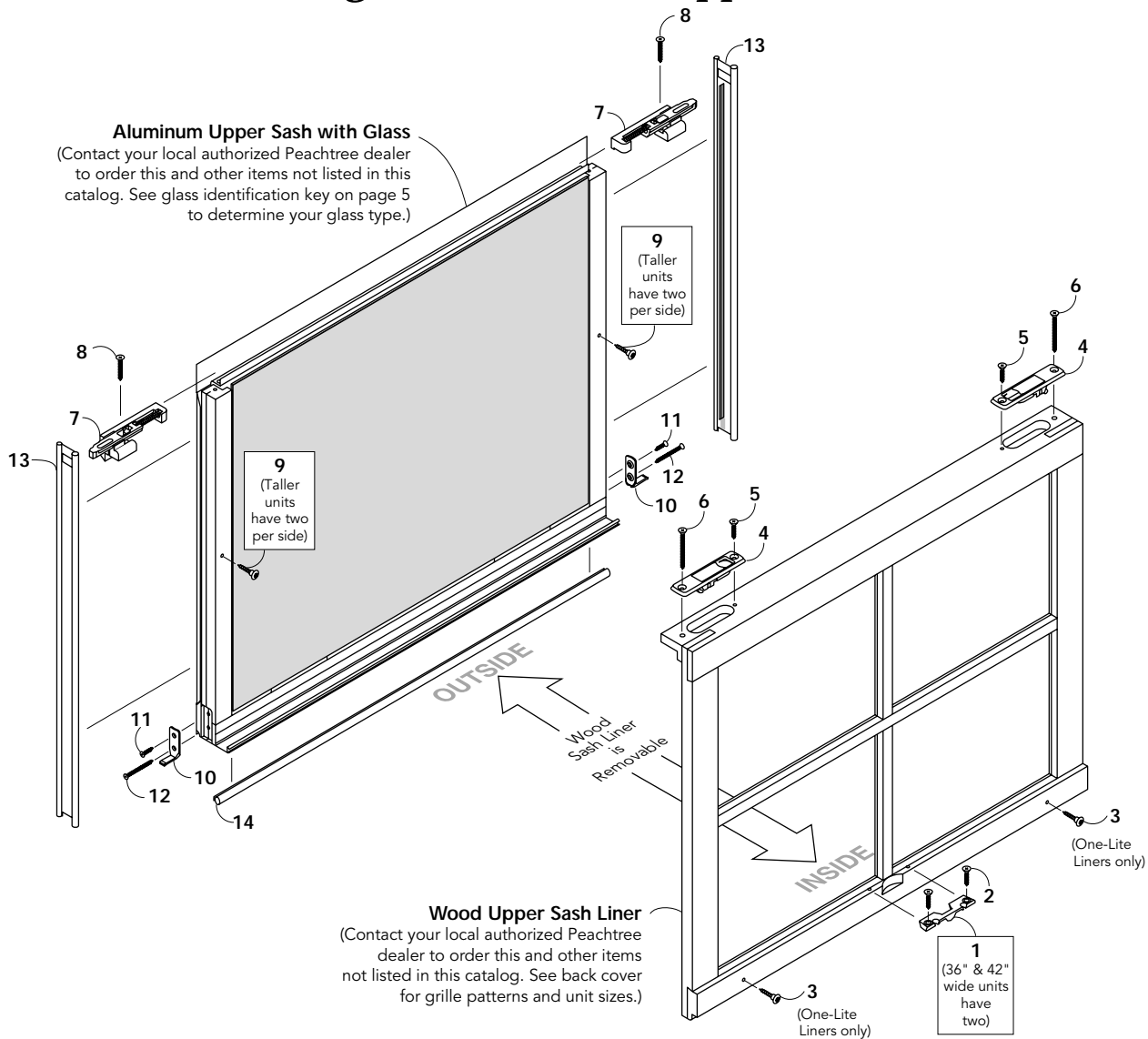
Part Description		Comments
7	Right Hand Jamb Liner with Pad	<ul style="list-style-type: none"> •Built-in balance spring design. •To order: Ask for Part Number <u>RJBLNR</u>. <input type="checkbox"/> Specify color. <ul style="list-style-type: none"> • Driftwood • White <input type="checkbox"/> Specify window size (see back cover).

Part Description		Comments
8	Exterior Screen	<ul style="list-style-type: none"> •Prefinished aluminum frame with grey fiberglass mesh, complete with installed latch attachments. •To order: Specify information below: <ul style="list-style-type: none"> <input type="checkbox"/> Specify color. <ul style="list-style-type: none"> • Driftwood • White • Brown <input type="checkbox"/> Specify window size (see back cover).

NOTES: - See back cover to determine your window size.

To order replacement parts, contact your local Peachtree Dealer or call 1-800-PEACH99.

Ariel® Double Hung Tilt Window Upper Sash



Part Description		Driftwood or Standard Finish	White Finish	Brass Finish	Comments
1	Latch Keeper Kit	35600208	35600206	35600207	Kit includes one Latch Keeper with screws
2	Latch Keeper Screw - color-matched head	See Notes	—	—	8 x 3/4" Oval Head, Phillips Self-Tapping
3	Upper One-Lite Sash, Wood Liner Screw	See Notes	N/A	N/A	8 x 1-1/2" Flat Head, Phillips Self-Tapping
4	Upper Sash Tilt Latch Kit	35600202	35600200	35600201	Kit includes LH and RH Tilt Latches with screws
5	Tilt Latch Short Screw - color-matched head	See Notes	—	—	8 x 3/4" Oval Head, Phillips Self-Tapping
6	Tilt Latch Long Screw - color-matched head	See Notes	—	—	8 x 1-3/4" Oval Head, Phillips Self-Tapping
7	Upper Sash Tilt Latch Housing Kit	35600210	N/A	N/A	Kit includes LH and RH Housings with screws
8	Tilt Latch Housing Screw	See Notes	N/A	N/A	8 x 1" Pan Head, Phillips Self-Tapping
9	Sash Stile Screw	SCW.9	N/A	N/A	Special screw only available from Peachtree
10	Sash Pivot Pin	35600209	N/A	N/A	Sash Pivot Pin
11	Sash Pivot Pin Short Screw	See Notes	N/A	N/A	8 x 5/8" Flat Head, Phillips Self-Tapping
12	Sash Pivot Pin Long Screw	See Notes	N/A	N/A	8 x 1-1/2" Flat Head, Phillips Self-Tapping

NOTES: -- Standard size/type screws can be purchased from your local hardware store.

To order replacement parts, contact your local Peachtree Dealer or call 1-800-PEACH99.

Ariel® Double Hung Tilt Window Upper Sash

Part Description		Comments
13	Upper Sash Vertical Weatherstrip Kit	<ul style="list-style-type: none"> •Kit includes Left Hand and Right Hand Weatherstrip, upper and lower. •To order: Ask for Part Number RDTSWS93. (for pre-1996 manufacture date)* Ask for Part Number RDTSWS96. (for 1996-present manufacture date)* <input type="checkbox"/> Specify color. <ul style="list-style-type: none"> • Driftwood • White • Sand • Hunter Green • Nature Brown <input type="checkbox"/> Specify window size (see back cover). <p><i>*Window manufacture date is printed on the glass identification label on spacer between glass surfaces.</i></p>

Part Description		Comments
14	Bottom Rail Weatherstrip	<ul style="list-style-type: none"> •To order: Ask for Part Number DBRWS. <input type="checkbox"/> Specify color. <ul style="list-style-type: none"> • Driftwood • White • Sand • Hunter Green • Nature Brown <input type="checkbox"/> Specify window size (see back cover).

NOTES: - See back cover for grille lite patterns and to determine your window size.
- For 66" high units, "C" designates Cottage grille design, "S" designates Equal Lite grille design.

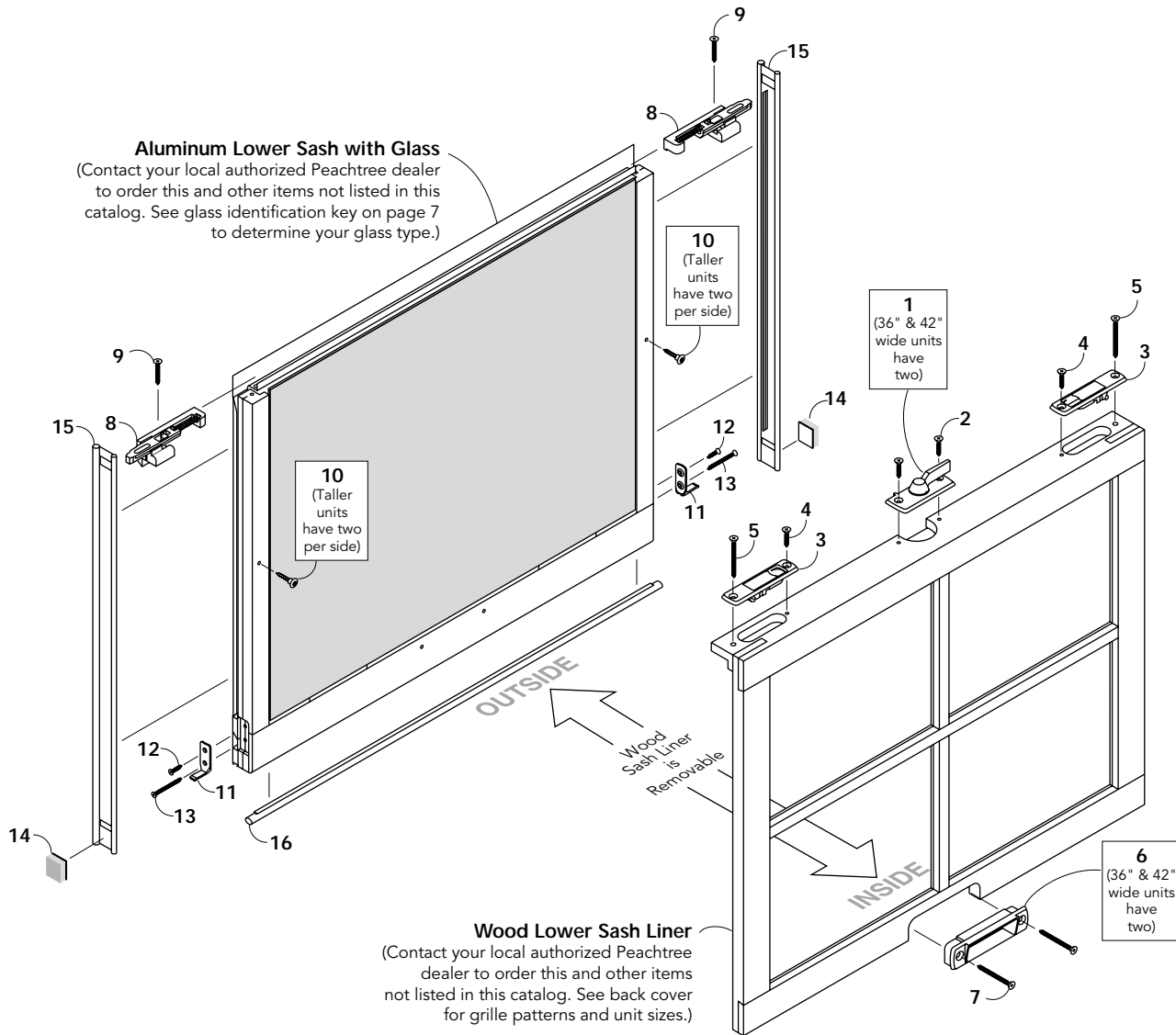
GLASS TYPES: Check the glass identification label on the spacer between glass surfaces to determine your glass type.

IF YOU ARE UNSURE OF THE TYPE OF GLASS IN YOUR WINDOW, OR IF THE GLASS IDENTIFICATION LABEL IS FOR A TYPE NOT LISTED, PLEASE CONTACT YOUR LOCAL AUTHORIZED PEACHTREE DEALER TO DETERMINE YOUR GLASS TYPE.

A = Twinsul Clear, Annealed	AE = Clear Annealed Low-E Glass
B = Twinsul Clear, Tempered	BE = Clear Tempered Low-E Glass
C = Twinsul Bronze Tint Annealed	CE = Bronze Annealed Low-E Glass
D = Twinsul Bronze Tint Tempered	DE = Bronze Tempered Low-E Glass

To order replacement parts, contact your local Peachtree Dealer or call 1-800-PEACH99.

Ariel® Double Hung Tilt Window Lower Sash



Part Description		Driftwood or Standard Finish	White Finish	Brass Finish	Comments
1	Sash Lock Kit	35600208	35600206	35600207	Kit includes one Sash Lock with screws
2	Sash Lock Screw - color-matched head	See Notes	—	—	8 x 3/4" Oval Head, Phillips Self Tapping
3	Sash Tilt Latch Kit	35600202	35600200	35600201	Kit includes LH and RH Tilt Latches with screws
4	Tilt Latch Short Screw - color-matched head	See Notes	—	—	8 x 3/4" Oval Head, Phillips Self Tapping
5	Tilt Latch Long Screw - color-matched head	See Notes	—	—	8 x 1-3/4" Oval Head, Phillips Self Tapping
6	Sash Lift Kit	35600205	35600203	35600204	Kit includes one Sash Lift with color-matched screws
7	Sash Lift Screw	See Notes	N/A	N/A	10 x 1-1/2" Oval Head, Phillips Self Tapping
8	Sash Tilt Latch Housing Kit	35600210	N/A	N/A	Kit includes LH and RH Housings with screws
9	Tilt Latch Housing Screw	See Notes	N/A	N/A	8 x 1" Pan Head Phillips Self Tapping
10	Sash Stile Screw	See Notes	N/A	N/A	Special screw only available from Peachtree
11	Sash Pivot Pin	35600209	N/A	N/A	Sash Pivot Pin
12	Sash Pivot Pin Short Screw	See Notes	N/A	N/A	8 x 5/8" Flat Head, Phillips Self Tapping
13	Sash Pivot Pin Long Screw	See Notes	N/A	N/A	8 x 1-1/2" Flat Head, Phillips Self Tapping
14	Lower Sash Weatherstrip Pad	N/A	N/A	N/A	Ask for by name (Description)

Ariel® Double Hung Tilt Window Lower Sash

Part Description		Comments
15	Upper Sash Vertical Weatherstrip Kit	<ul style="list-style-type: none"> •Kit includes Left Hand and Right Hand Weatherstrip. •To order: Ask for Part Number RDTSWS93. (for pre-1996 manufacture date)* Ask for Part Number RDTSWS96. (for 1996-present manufacture date)* <input type="checkbox"/> Specify color. <ul style="list-style-type: none"> • Driftwood • White • Sand • Hunter Green • Nature Brown <input type="checkbox"/> Specify window size (see back cover). <p><i>*Window manufacture date is printed on the glass identification label on spacer between glass surfaces.</i></p>

Part Description		Comments
16	Bottom Rail Weatherstrip	<ul style="list-style-type: none"> •To order: Ask for Part Number DBRWS. <input type="checkbox"/> Specify color. <ul style="list-style-type: none"> •• Driftwood • White • Sand • Hunter Green • Nature Brown <input type="checkbox"/> Specify window size (see back cover).

NOTES: - See back cover for grille lite patterns and to determine your window size.
- For 66" high units, "C" designates Cottage grille design, "S" designates Equal Lite grille design.

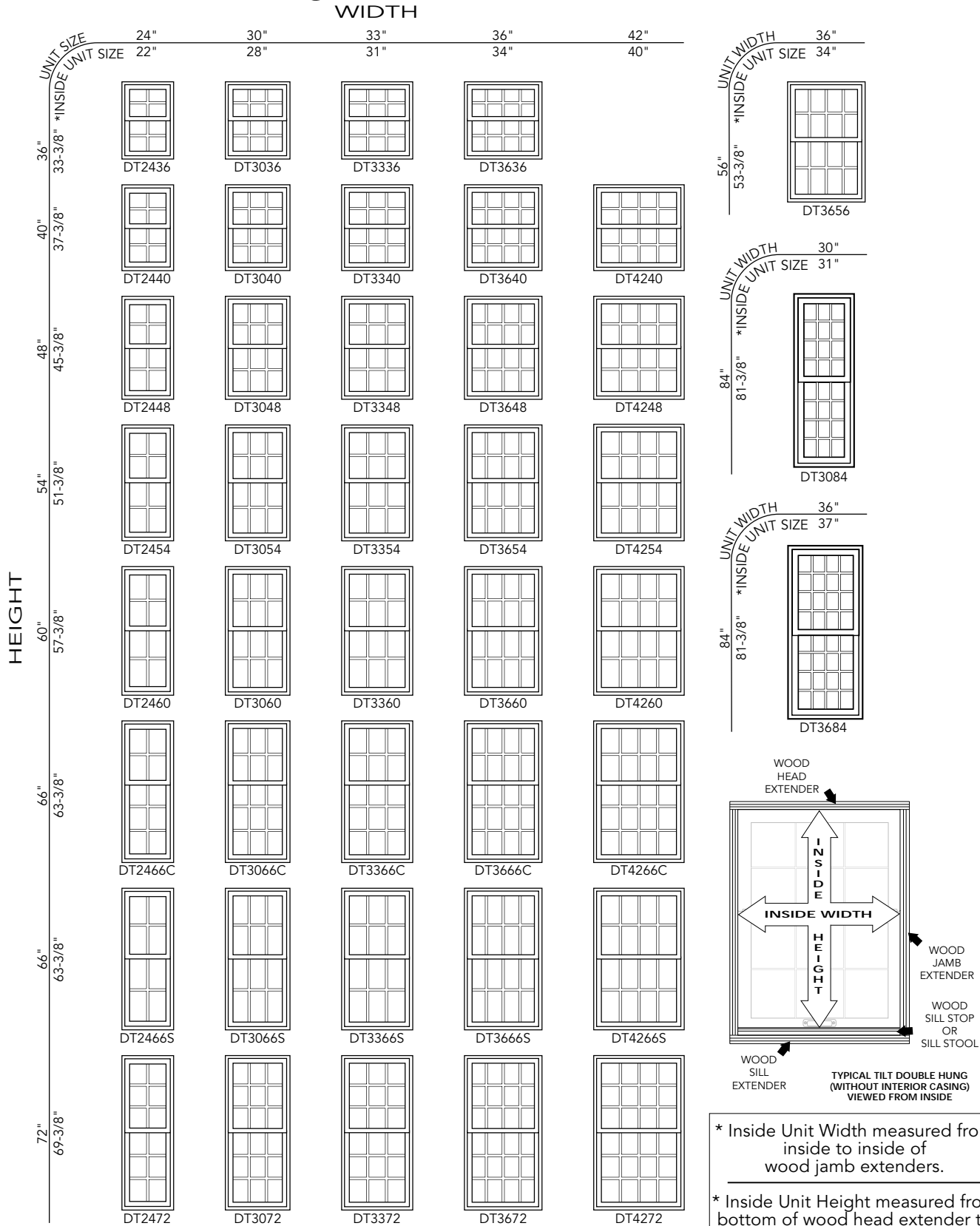
GLASS TYPES: Check the glass identification label on the spacer between glass surfaces to determine your glass type.

IF YOU ARE UNSURE OF THE TYPE OF GLASS IN YOUR WINDOW, OR IF THE GLASS IDENTIFICATION LABEL IS FOR A TYPE NOT LISTED, PLEASE CONTACT YOUR LOCAL AUTHORIZED PEACHTREE DEALER TO DETERMINE YOUR GLASS TYPE.

CA = Twinsul Clear, Annealed	CAE = Clear Annealed Low-E Glass
CT = Twinsul Clear, Tempered	CTE = Clear Tempered Low-E Glass
CAO = Obsure Clear, Annealed	CAOE = Obsure Clear Annealed Low-E Glass
CTO = Obsure Clear, Tempered	CTOE = Obsure Clear Tempered Low-E Glass
BA = Twinsul Bronze Tint Annealed	BAE = Bronze Annealed Low-E Glass
BT = Twinsul Bronze Tint Tempered	BTE = Bronze Tempered Low-E Glass
GA = Grey Tint, Annealed	GAE = Grey Annealed Low-E Glass
GT = Grey Tint, Tempered	GTE = Grey Tempered Low-E Glass
TG = Turtle Glass, Annealed	
TGT = Turtle Glass, Tempered	

To order replacement parts, contact your local Peachtree Dealer or call 1-800-PEACH99.

Ariel® Double Hung Tilt Window Sizes and Grille Patterns



Contact your local authorized Peachtree dealer or call 1-800-PEACH99 to order Wood Sash Liners, Grille Bars without Sash Liners, and any other items not listed in this catalog.

* Inside Unit Width measured from inside to inside of wood jamb extenders.
* Inside Unit Height measured from bottom of wood head extender to top of wood sill stop or sill stool.