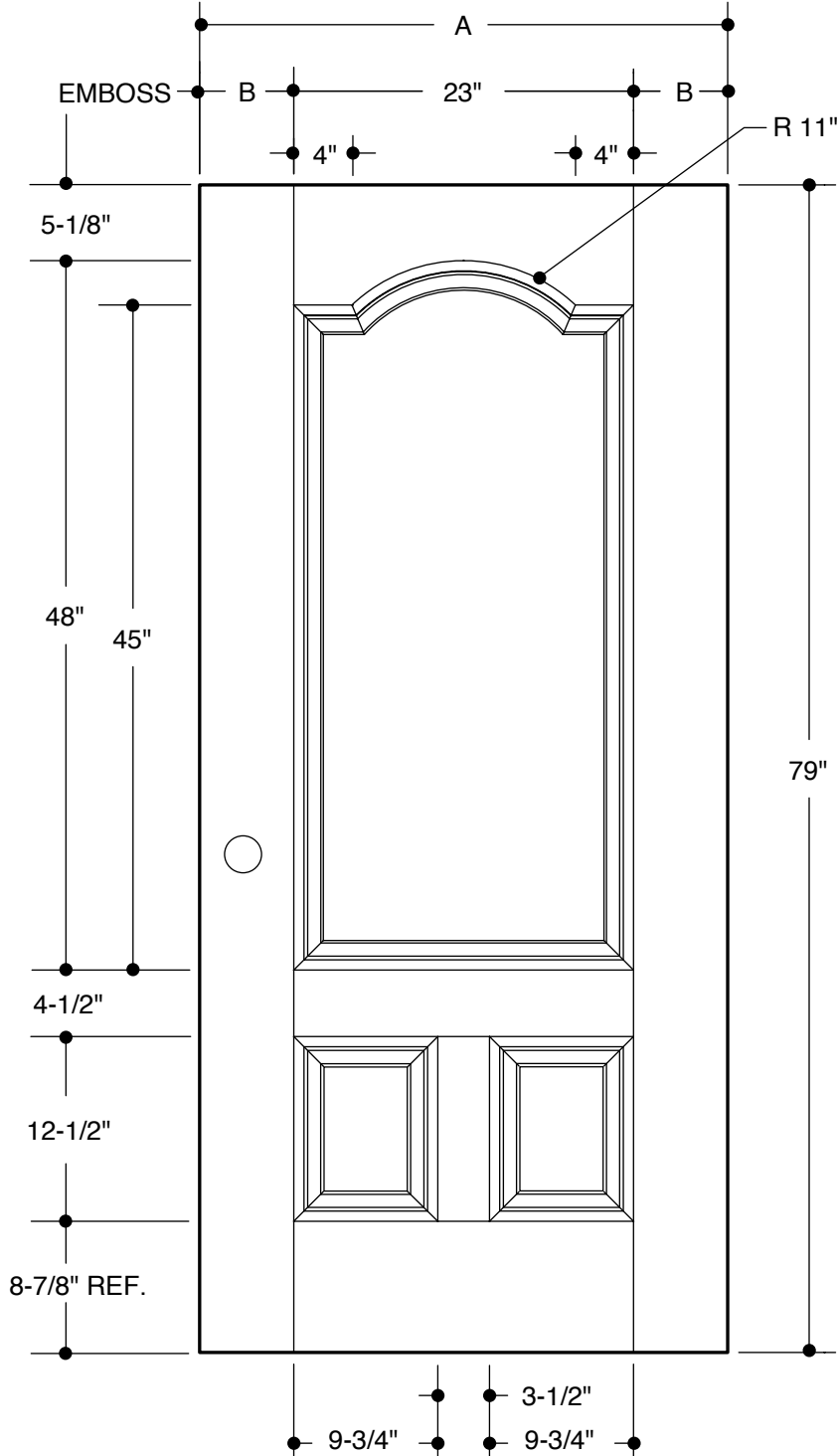


**ARCH TOP  
3-PANEL**

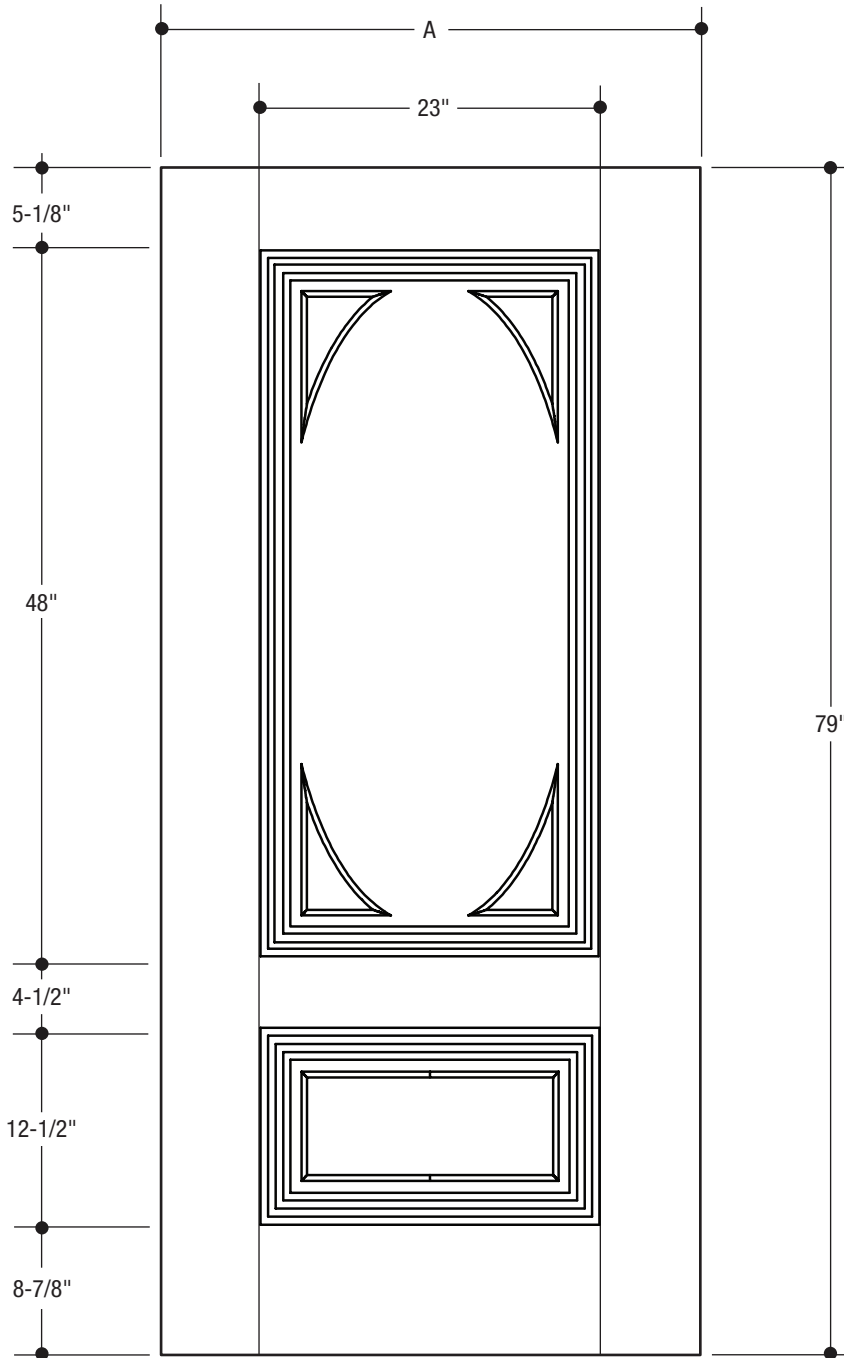


|   |         |       |  |
|---|---------|-------|--|
|   |         |       |  |
| A | 31-3/4" | 2'8"  |  |
| B | 4-3/8"  |       |  |
|   |         |       |  |
|   |         |       |  |
| A | 33-3/4" | 2'10" |  |
| B | 5-3/8"  |       |  |
|   |         |       |  |
|   |         |       |  |
| A | 35-3/4" | 3'0"  |  |
| B | 6-3/8"  |       |  |
|   |         |       |  |
|   |         |       |  |

| PART NO. | QTY. | DESCRIPTION                   |
|----------|------|-------------------------------|
|          |      | BELLEVILLE® SMOOTH FIBERGLASS |

Our continuing program of product improvement makes specifications, design and product detail subject to change without notice.

**2 PANEL HOLLISTER**

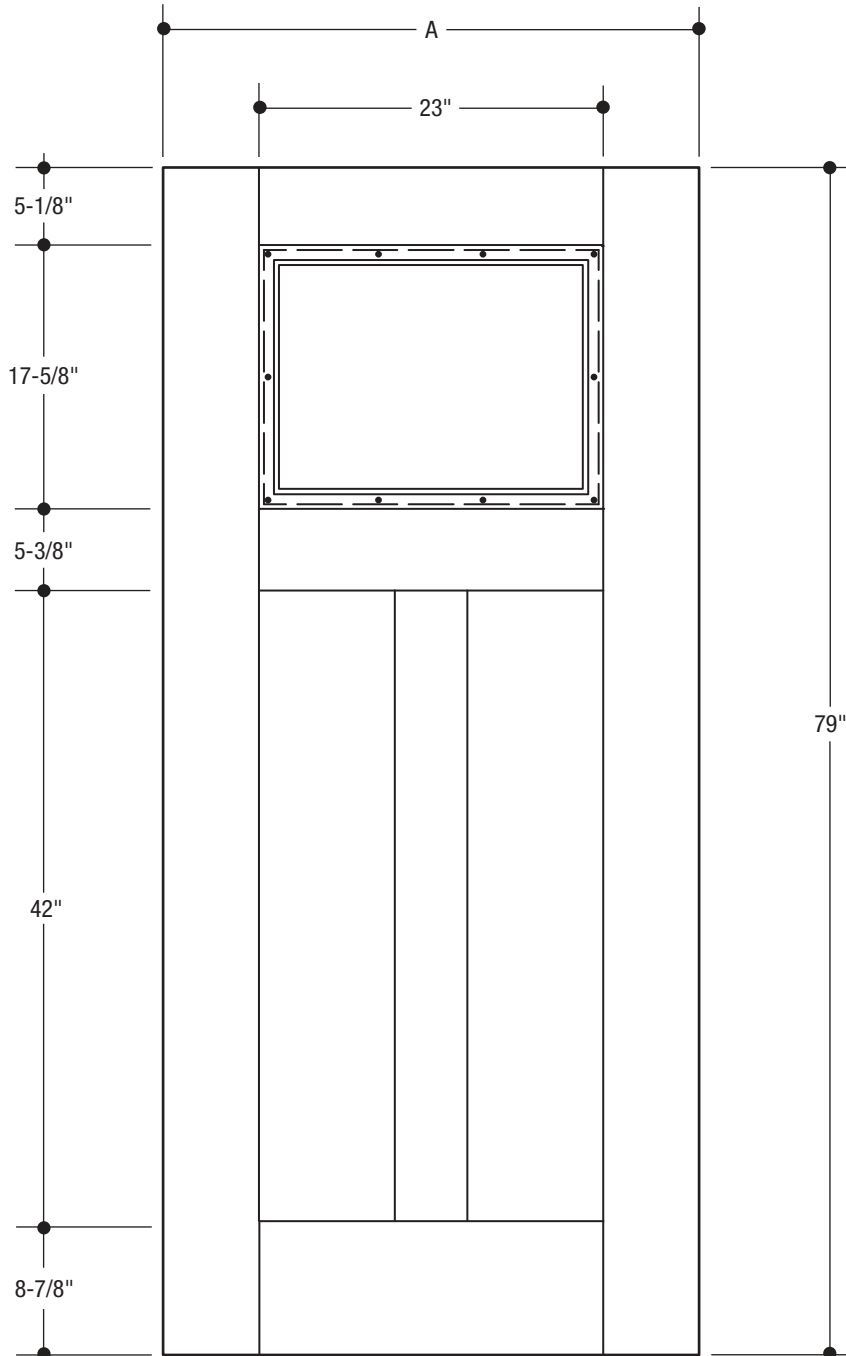


|   |         |       |
|---|---------|-------|
| A | 31-3/4" | 2'8"  |
|   |         |       |
| A | 33-3/4" | 2'10" |
|   |         |       |
| A | 35-3/4" | 3'0"  |
|   |         |       |
|   |         |       |
|   |         |       |

| PART NO. | QTY. | DESCRIPTION                   |
|----------|------|-------------------------------|
|          |      | BELLEVILLE® SMOOTH FIBERGLASS |

Our continuing program of product improvement makes specifications, design and product detail subject to change without notice.

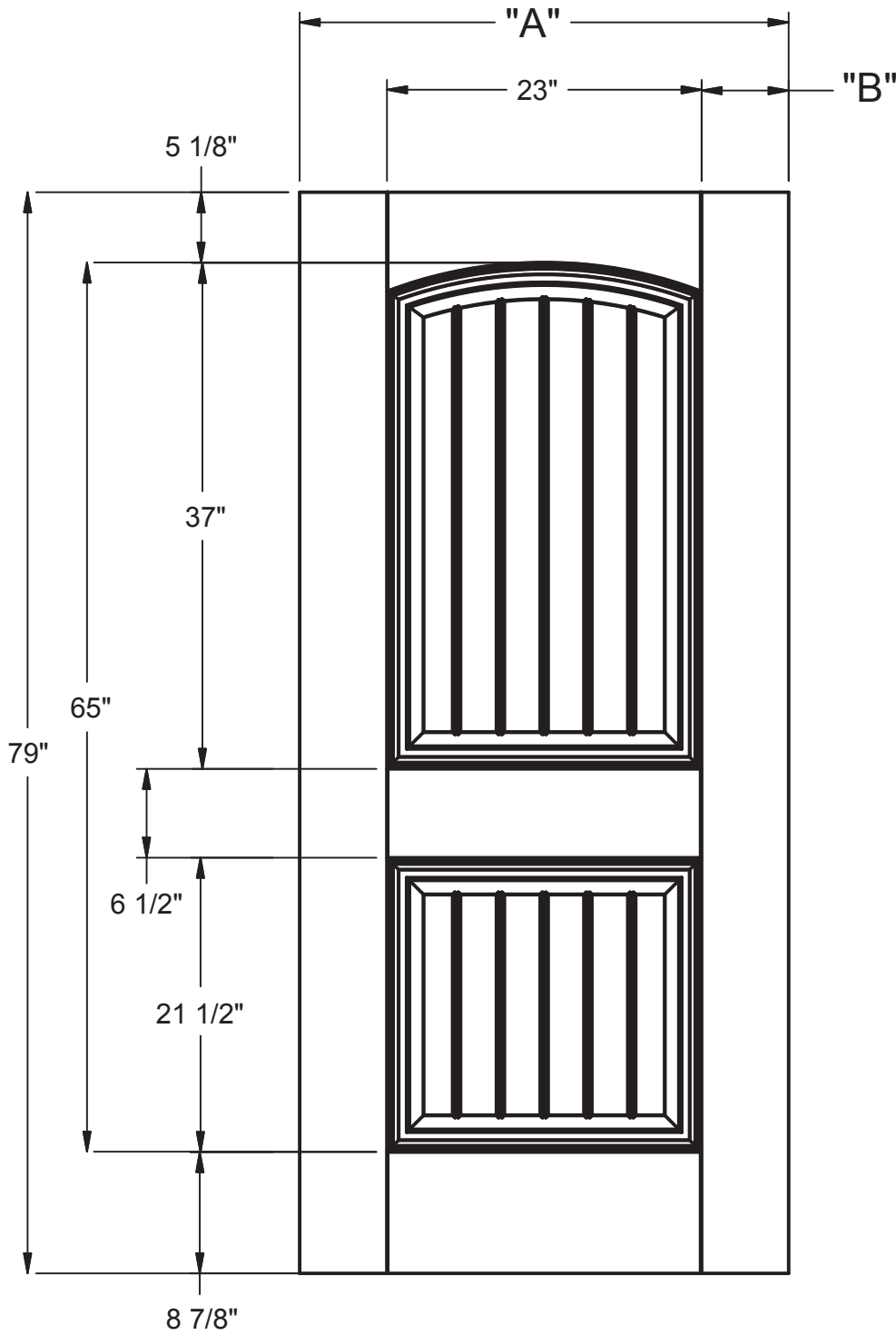
**2 PANEL CRAFTSMAN**



|  |   |         |       |
|--|---|---------|-------|
|  | A | 31-3/4" | 2'8"  |
|  |   |         |       |
|  | A | 33-3/4" | 2'10" |
|  |   |         |       |
|  | A | 35-3/4" | 3'0"  |
|  |   |         |       |
|  |   |         |       |
|  |   |         |       |

| PART NO. | QTY. | DESCRIPTION                   |
|----------|------|-------------------------------|
|          |      | BELLEVILLE® SMOOTH FIBERGLASS |

Our continuing program of product improvement makes specifications, design and product detail subject to change without notice.



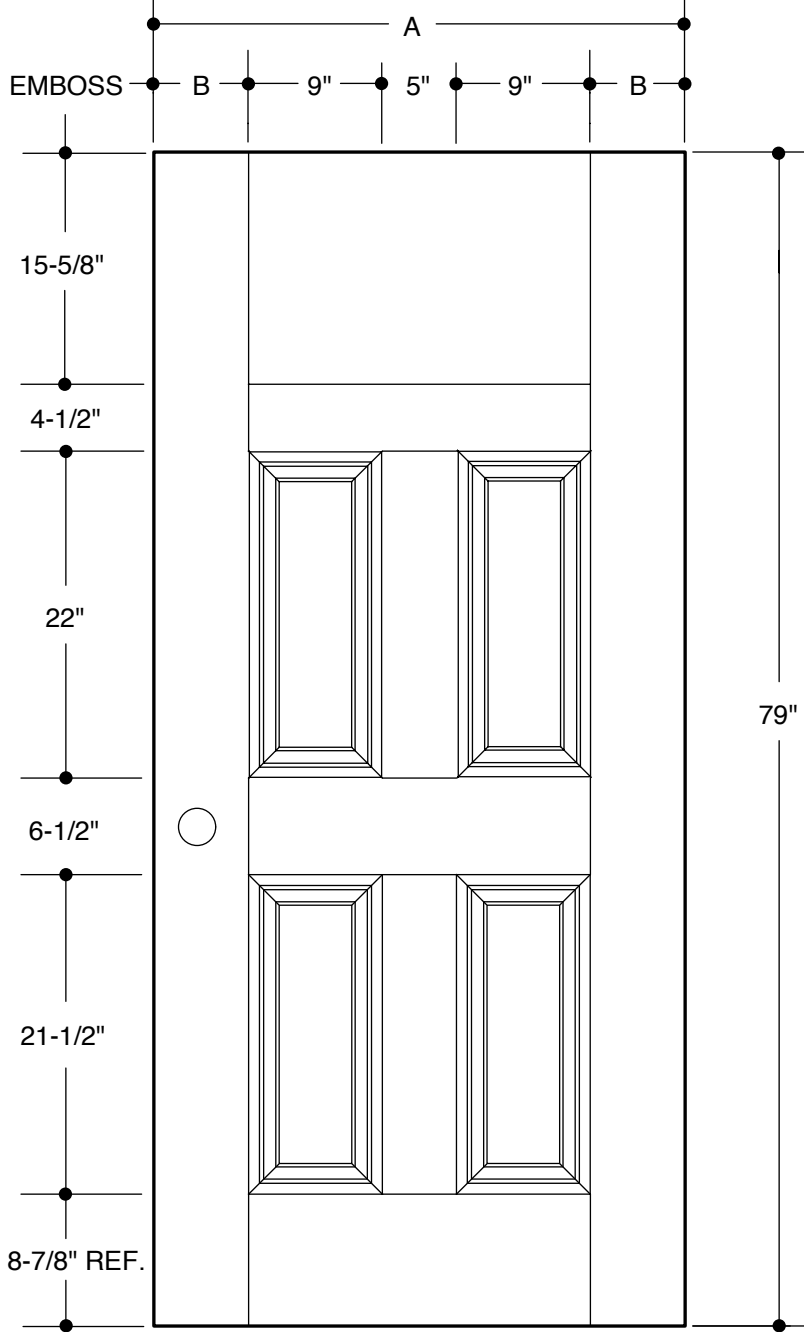
**2 PANEL PLANK**

|  |   |         |       |
|--|---|---------|-------|
|  | A | 31-3/4" | 2'8"  |
|  | B | 4-3/8"  |       |
|  | A | 33-3/4" | 2'10" |
|  | B | 5-3/8"  |       |
|  | A | 35-3/4" | 3'0"  |
|  | B | 6-3/8"  |       |
|  |   |         |       |
|  |   |         |       |

| PART NO. | QTY. | DESCRIPTION                   |
|----------|------|-------------------------------|
|          |      | BELLEVILLE® SMOOTH FIBERGLASS |

Our continuing program of product improvement makes specifications, design and product detail subject to change without notice.

**BLANK TOP  
4-PANEL**

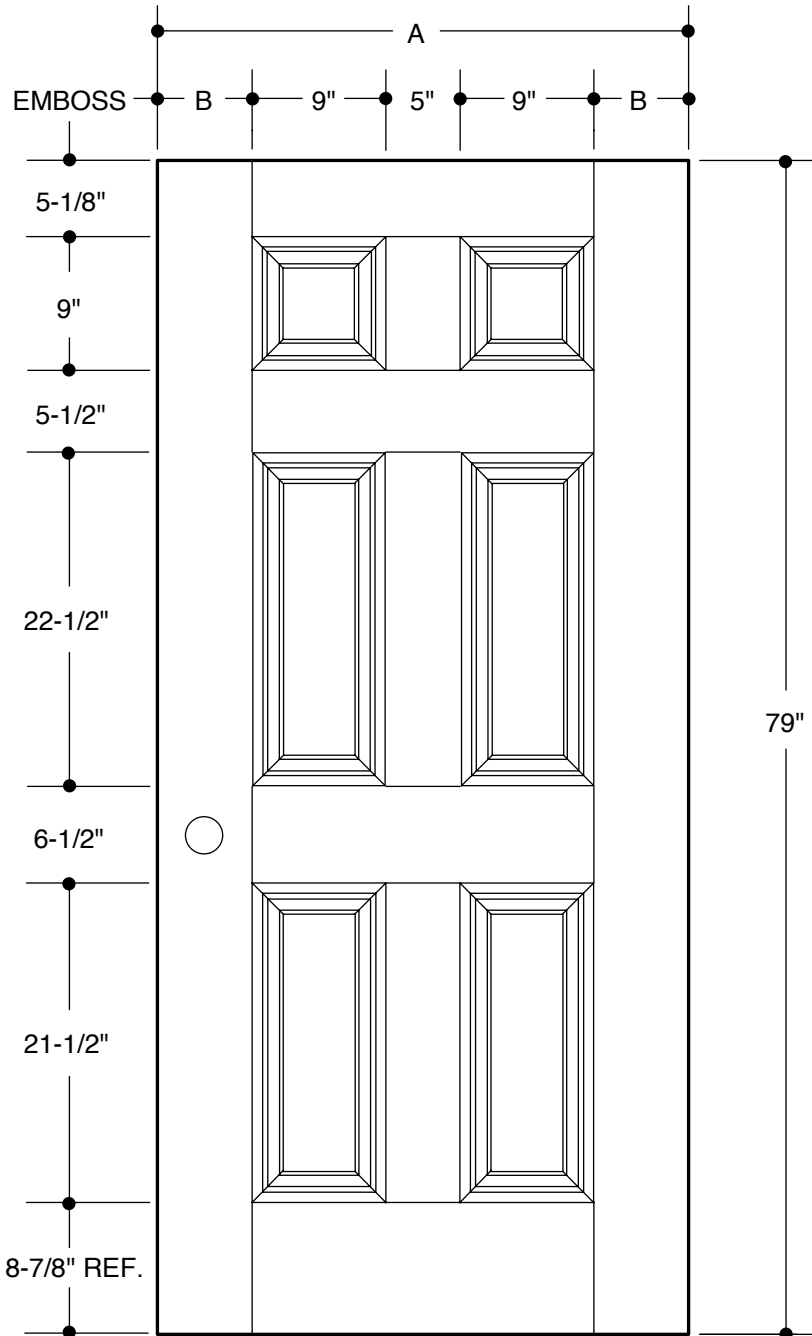


|   |         |       |  |
|---|---------|-------|--|
|   |         |       |  |
| A | 31-3/4" | 2'8"  |  |
| B | 4-3/8"  |       |  |
|   |         |       |  |
|   |         |       |  |
| A | 33-3/4" | 2'10" |  |
| B | 5-3/8"  |       |  |
|   |         |       |  |
|   |         |       |  |
| A | 35-3/4" | 3'0"  |  |
| B | 6-3/8"  |       |  |
|   |         |       |  |
|   |         |       |  |

| PART NO. | QTY. | DESCRIPTION                               |
|----------|------|---|
|          |      | BELLEVILLE <sup>®</sup> SMOOTH FIBERGLASS |

Our continuing program of product improvement makes specifications, design and product detail subject to change without notice.

**6-PANEL**



|   |         |       |  |
|---|---------|-------|--|
|   |         |       |  |
| A | 31-3/4" | 2'8"  |  |
| B | 4-3/8"  |       |  |
|   |         |       |  |
| A | 33-3/4" | 2'10" |  |
| B | 5-3/8"  |       |  |
|   |         |       |  |
|   |         |       |  |
| A | 35-3/4" | 3'0"  |  |
| B | 6-3/8"  |       |  |
|   |         |       |  |
|   |         |       |  |

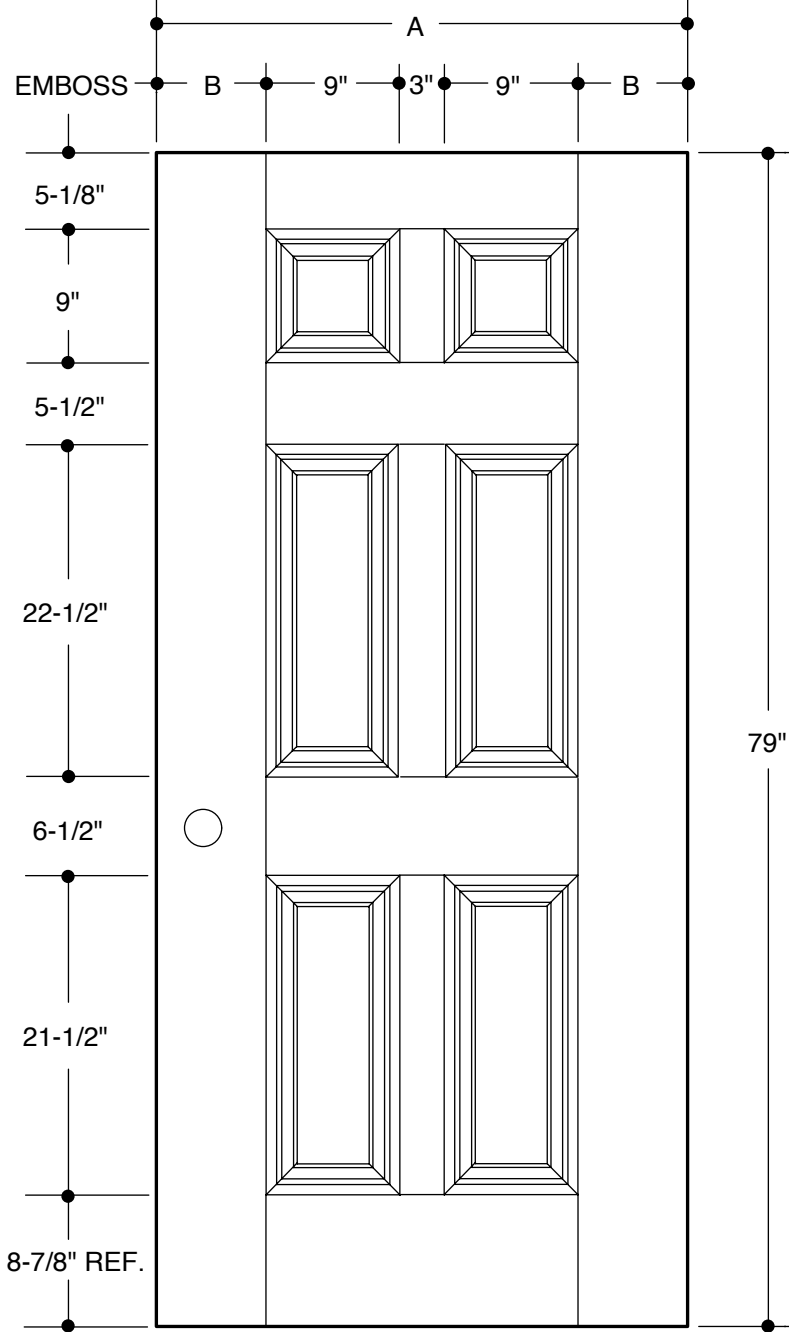
**Please Note:**

1. Available as 20-Minute Fire Rated - Warnock Hersey Labeled.

| PART NO. | QTY. | DESCRIPTION                   |
|----------|------|-------------------------------|
|          |      | BELLEVILLE® SMOOTH FIBERGLASS |

Our continuing program of product improvement makes specifications, design and product detail subject to change without notice.

**NARROW  
6-PANEL**

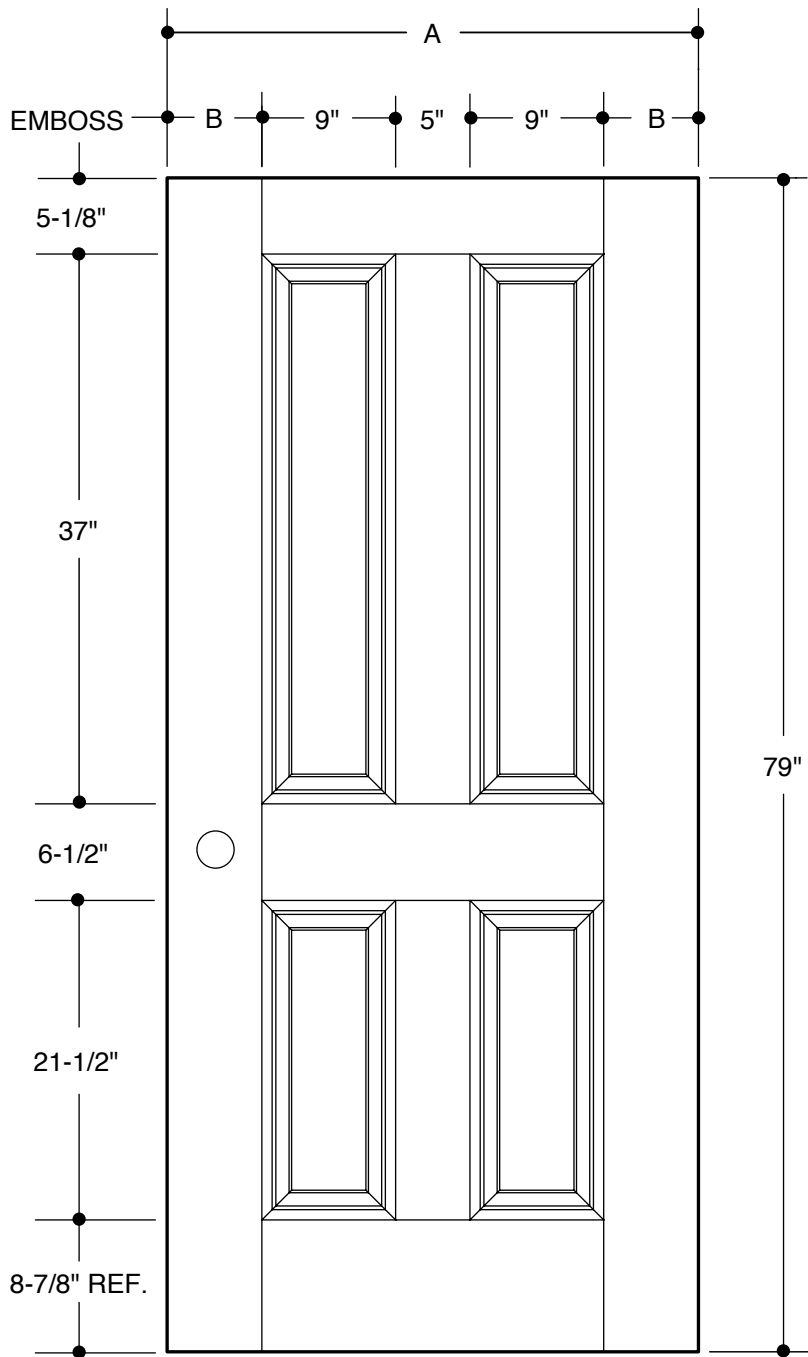


|   |         |             |
|---|---------|-------------|
| A | 29-3/4" | <b>2'6"</b> |
| B | 4-3/8"  |             |
|   |         |             |
|   |         |             |
|   |         |             |
|   |         |             |

| PART NO. | QTY. | DESCRIPTION                               |
|----------|------|---|
|          |      | BELLEVILLE <sup>®</sup> SMOOTH FIBERGLASS |

Our continuing program of product improvement makes specifications, design and product detail subject to change without notice.

**NEW ENGLAND  
4-PANEL**



|   |         |       |  |
|---|---------|-------|--|
|   |         |       |  |
| A | 31-3/4" | 2'8"  |  |
| B | 4-3/8"  |       |  |
|   |         |       |  |
| A | 33-3/4" | 2'10" |  |
| B | 5-3/8"  |       |  |
|   |         |       |  |
| A | 35-3/4" | 3'0"  |  |
| B | 6-3/8"  |       |  |
|   |         |       |  |

**Please Note:**

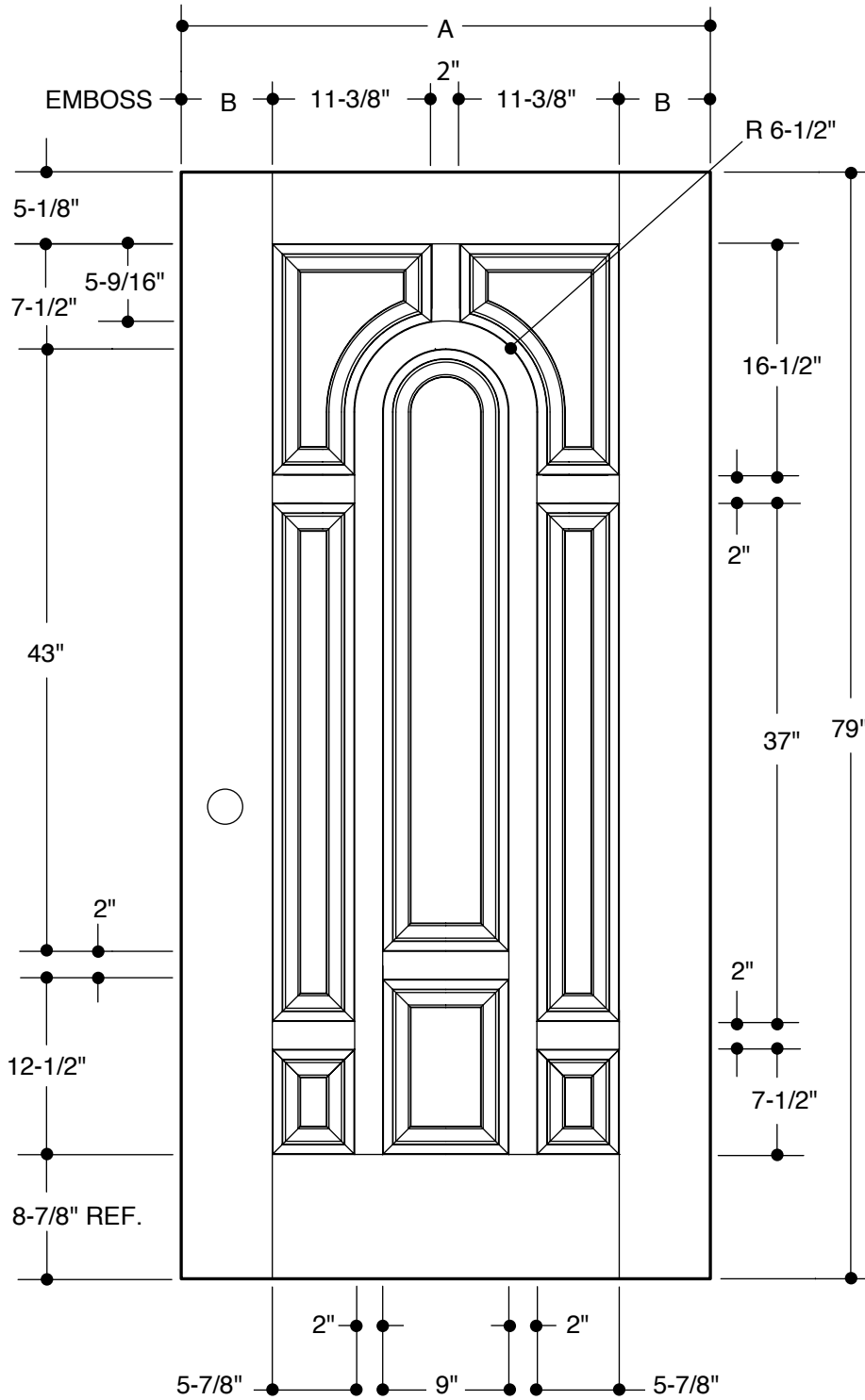
1. Available as 20-Minute Fire Rated - Warnock Hersey Labeled.

| PART NO. | QTY. | DESCRIPTION                   |
|----------|------|-------------------------------|
|          |      | BELLEVILLE® SMOOTH FIBERGLASS |

Our continuing program of product improvement makes specifications, design and product detail subject to change without notice.



**PARLIAMENT  
8-PANEL**

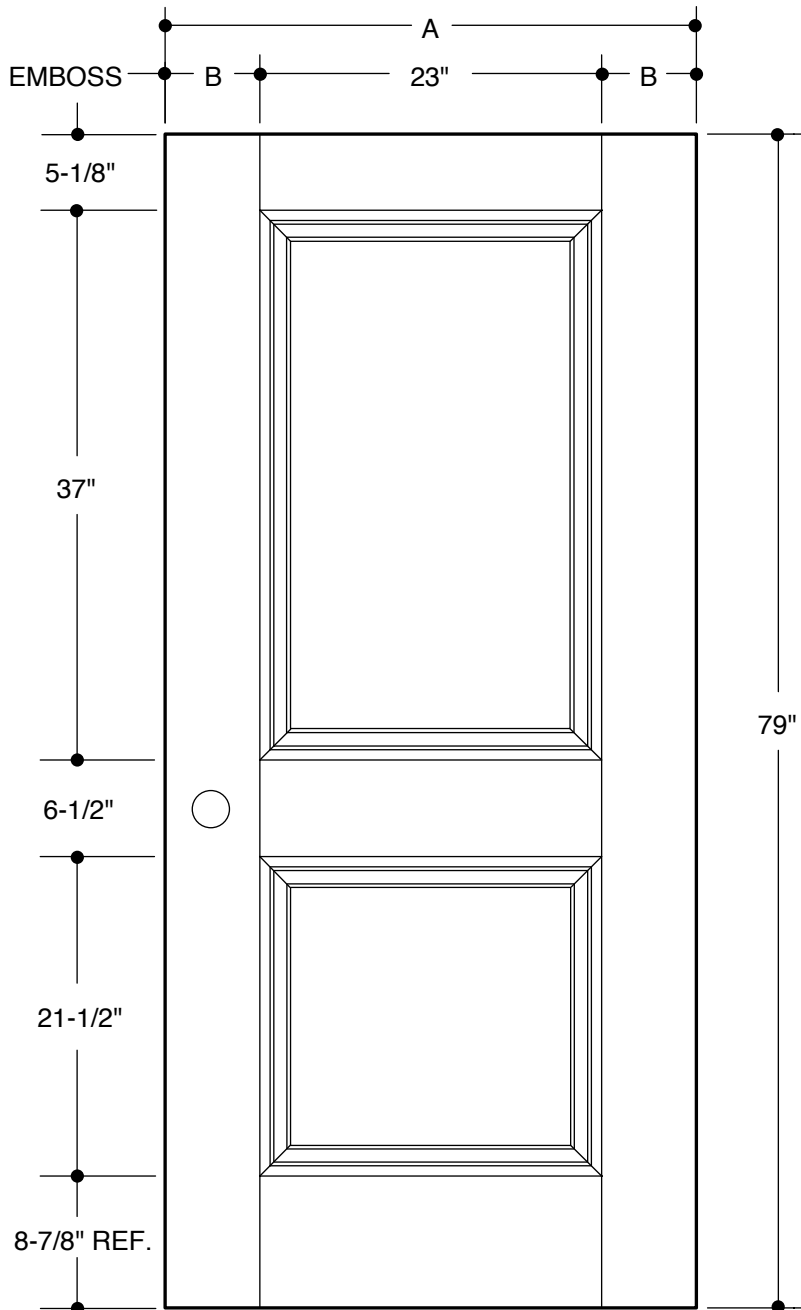


|   |         |       |
|---|---------|-------|
|   |         |       |
|   |         |       |
|   |         |       |
| A | 33-3/4" | 2'10" |
| B | 4-1/2"  |       |
|   |         |       |
|   |         |       |
|   |         |       |
|   |         |       |
| A | 35-3/4" | 3'0"  |
| B | 5-1/2"  |       |
|   |         |       |
|   |         |       |
|   |         |       |
|   |         |       |

| PART NO. | QTY. | DESCRIPTION                   |
|----------|------|-------------------------------|
|          |      | BELLEVILLE® SMOOTH FIBERGLASS |

Our continuing program of product improvement makes specifications, design and product detail subject to change without notice.

**SQUARE TOP  
2-PANEL**



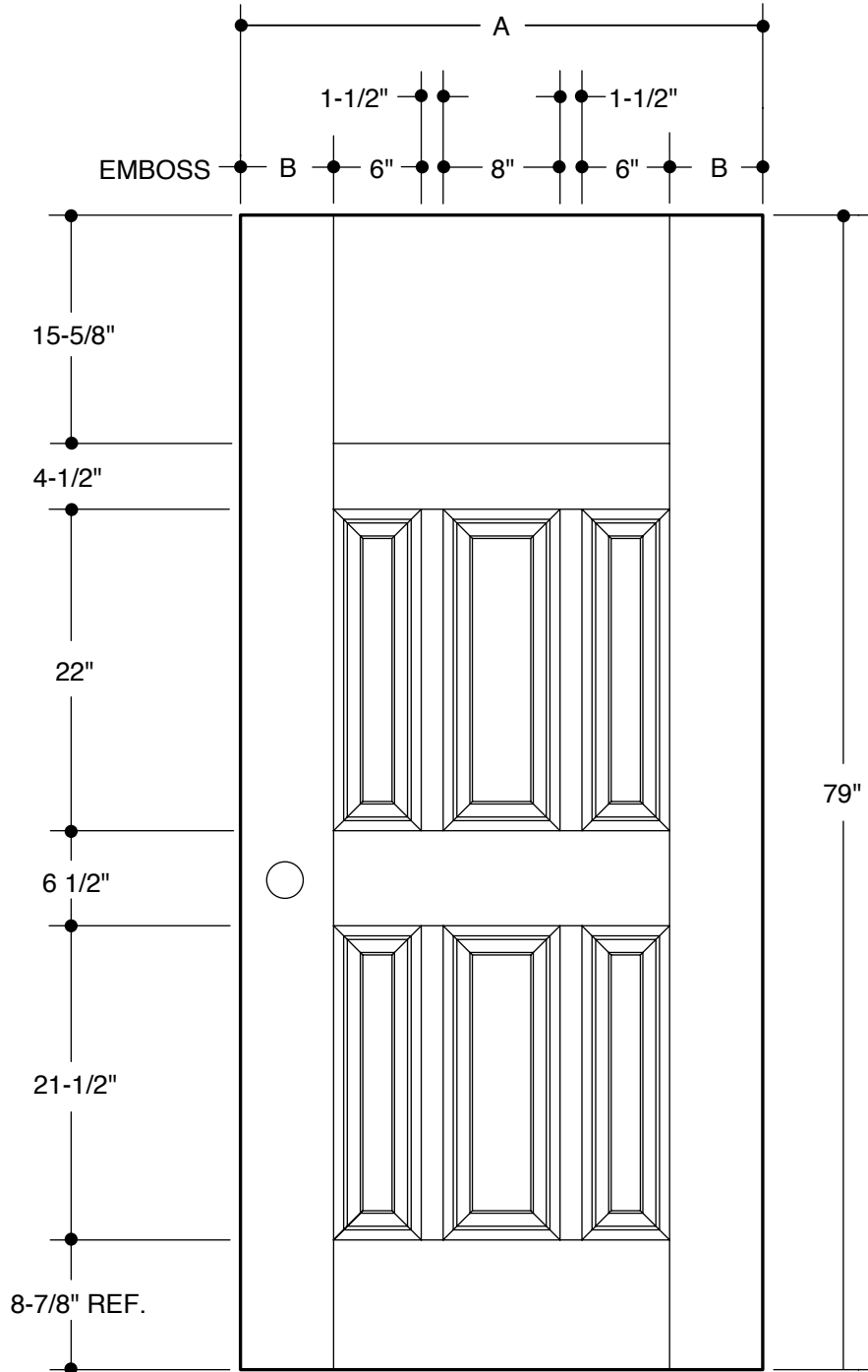
|   |         |       |  |
|---|---------|-------|--|
|   |         |       |  |
| A | 31-3/4" | 2'8"  |  |
| B | 4-3/8"  |       |  |
|   |         |       |  |
|   |         |       |  |
| A | 33-3/4" | 2'10" |  |
| B | 5-3/8"  |       |  |
|   |         |       |  |
|   |         |       |  |
|   |         |       |  |
| A | 35-3/4" | 3'0"  |  |
| B | 6-3/8"  |       |  |
|   |         |       |  |
|   |         |       |  |
|   |         |       |  |

**Please Note:**  
1. Available as 20-Minute Fire Rated - Warnock Hersey Labeled.

| PART NO. | QTY. | DESCRIPTION                   |
|----------|------|-------------------------------|
|          |      | BELLEVILLE® SMOOTH FIBERGLASS |

Our continuing program of product improvement makes specifications, design and product detail subject to change without notice.

**BLANK TOP  
6-PANEL**

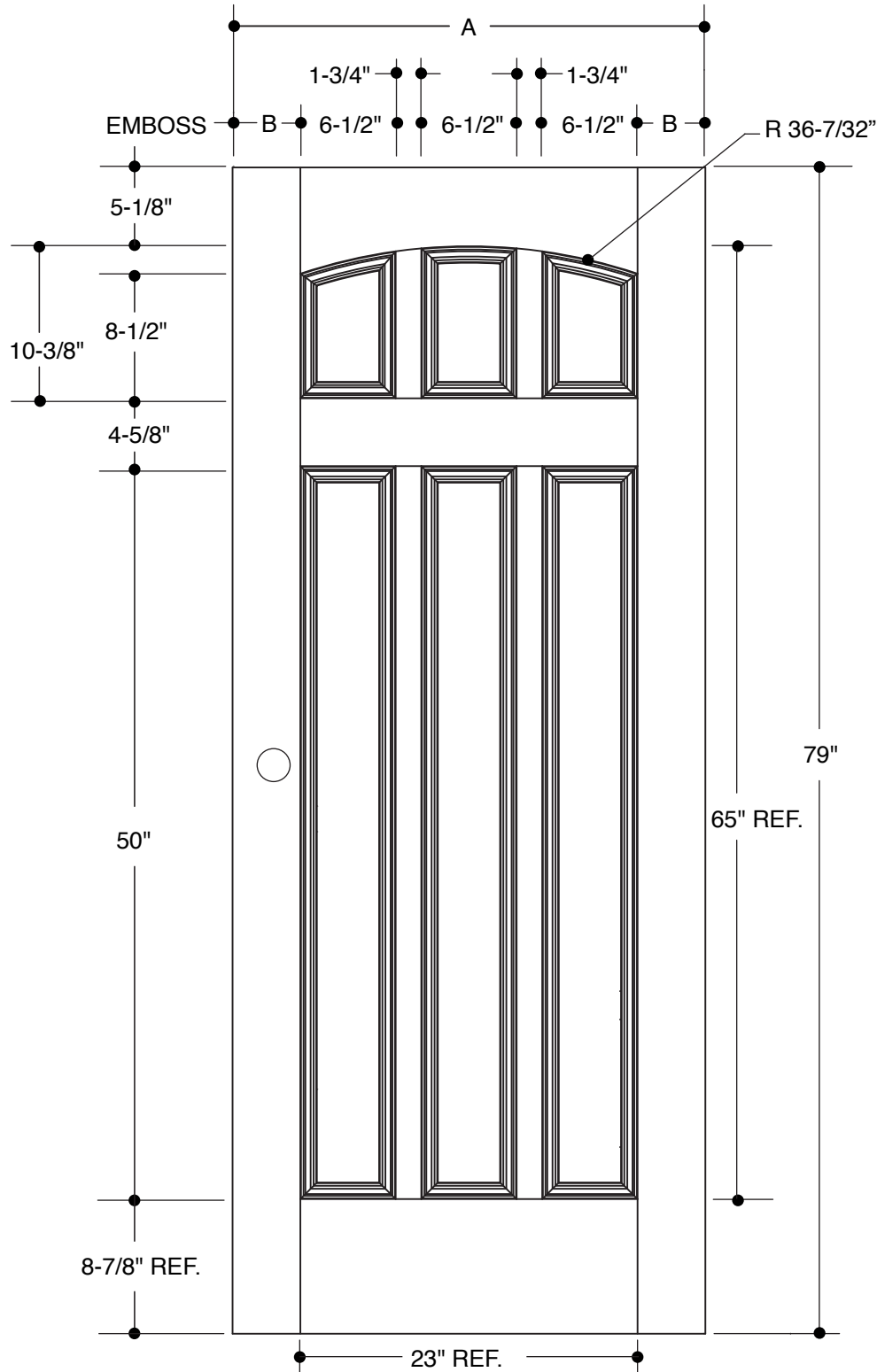


|   |         |       |
|---|---------|-------|
|   |         |       |
| A | 31-3/4" | 2'8"  |
| B | 4-3/8"  |       |
|   |         |       |
|   |         |       |
| A | 33-3/4" | 2'10" |
| B | 5-3/8"  |       |
|   |         |       |
|   |         |       |
|   |         |       |
| A | 35-3/4" | 3'0"  |
| B | 6-3/8"  |       |
|   |         |       |
|   |         |       |
|   |         |       |

| PART NO. | QTY. | DESCRIPTION                               |
|----------|------|---|
|          |      | BELLEVILLE <sup>®</sup> SMOOTH FIBERGLASS |

Our continuing program of product improvement makes specifications, design and product detail subject to change without notice.

**CAMBER TOP  
6-PANEL**

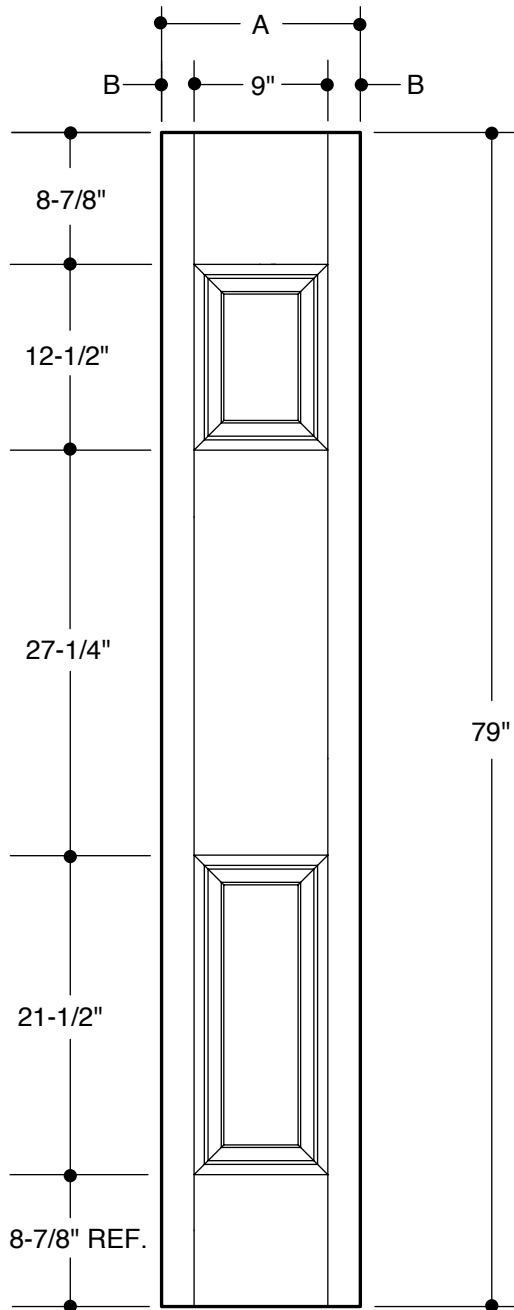


|   |         |       |  |
|---|---------|-------|--|
|   |         |       |  |
| A | 31-3/4" | 2'8"  |  |
| B | 4-3/8"  |       |  |
|   |         |       |  |
| A | 33-3/4" | 2'10" |  |
| B | 5-3/8"  |       |  |
|   |         |       |  |
| A | 35-3/4" | 3'0"  |  |
| B | 6-3/8"  |       |  |
|   |         |       |  |

| PART NO. | QTY. | DESCRIPTION                   |
|----------|------|-------------------------------|
|          |      | BELLEVILLE® SMOOTH FIBERGLASS |

Our continuing program of product improvement makes specifications, design and product detail subject to change without notice.

**UNIVERSAL  
2-PANEL**



|   |         |  |     |
|---|---------|--|-----|
|   |         |  | 12" |
| A | 11-7/8" |  |     |
| B | 1-7/16" |  |     |
|   |         |  | 14" |
| A | 13-7/8" |  |     |
| B | 2-7/16" |  |     |
|   |         |  |     |
|   |         |  |     |
|   |         |  |     |
|   |         |  |     |

**Please Note:**

1. Flip panel for use with 3/4 lite style door.

| PART NO. | QTY. | DESCRIPTION  |
|----------|------|--|
|          |      | BELLEVILLE <sup>®</sup> SMOOTH FIBERGLASS SIDELITE |

Our continuing program of product improvement makes specifications, design and product detail subject to change without notice.