



***Energy Saver Clad Wood***

***Sliding & French Sliding Patio Door***

***Parts Pages***

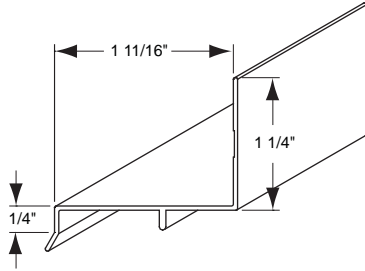
***for:***

***Miscellaneous Aluminum & Purchased Parts***

---

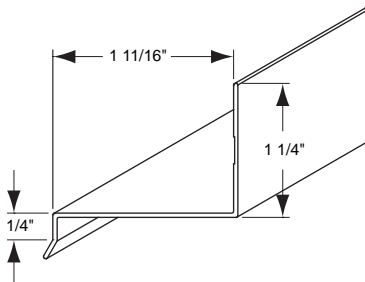
**Drip Caps, Nail Fin**

**1 Aluminum Drip Cap with Leg**



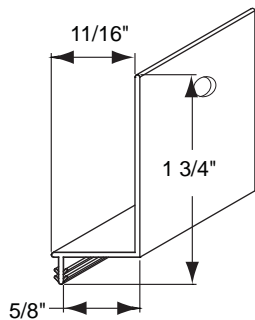
Color	Part No.	
	Lineal Foot	12'
White	024647	024650
Bronze	024648	024651
Sand	024649	024652
Green	032016	032017
Eggshell	072705	072706
Brick Red	072877	072878
Jet Black	095611	095354

**2 Aluminum Drip Cap WITHOUT Leg**



Color	Part No.	
	Lineal Foot	12'
White	024632	024635
Bronze	024633	024636
Sand	024634	024646
Green	032014	032015
Eggshell	072703	072704
Brick Red	072875	072876
Jet Black	095610	095353

**3 Head & Jamb Nailing Fin, Vinyl**



Glass Size	Head	
	Length	Part No.
2-6	31 7/8"	014713
2-8	33 7/8"	019496
3-0	37 7/8"	014714
4-0	49 7/8"	014715
2-8 French	32 1/2"	097870
2-10 French	34 1/2"	097871
3-2 French	38 1/2"	097872
4-2 French	50 1/2"	097873
5-0	58 9/16"	014716
5-4	62 9/16"	038566
6-0	70 9/16"	014717
8-0	94 9/16"	014718
7-6 OXO	89 9/16"	019501
8-0 OXO	95 9/16"	019502
9-0 OXO	107 9/16"	019503
12-0 OXO	143 9/16"	019504
7-6 OXO French	90 3/16"	097874
8-0 OXO French	96 3/16"	097875
9-0 OXO French	108 3/16"	097876
12-0 OXO French	144 3/16"	097877
10-0 OXXO	115 9/16"	015163
12-0 OXXO	139 9/16"	015164
16-0 OXXO	187 9/16"	015165

Jamb		
Size	Length	Part #
Retro	79 13/16	098051
6-10	82 13/16	098052
7-2	86 13/16	014306
8-0	95 13/16	098053

Lineal Foot Part# 012204

Note: Parts drawings not to scale.

# Sliding & French Sliding Patio Door

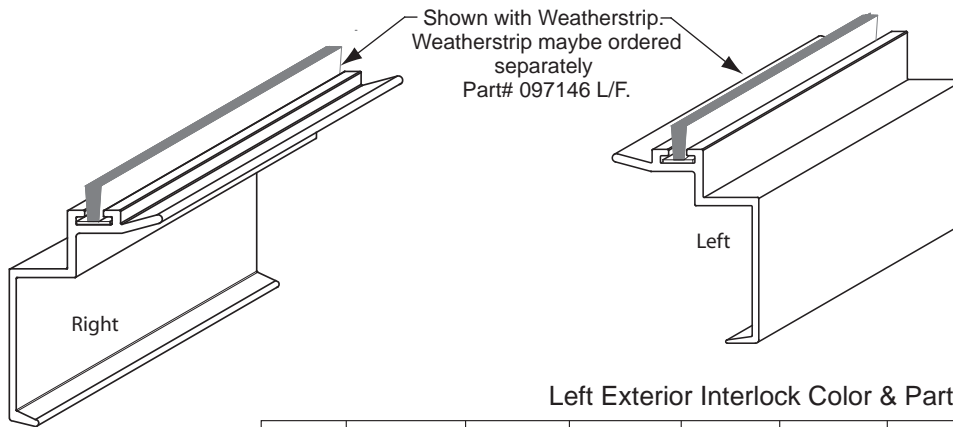
Energy Saver Aluminum Clad Wood

Replacement Parts



## Interlocks & Sidelite Installation Clip

### 4 Exterior Interlock - Stationary Panel



Left Exterior Interlock Color & Part No.

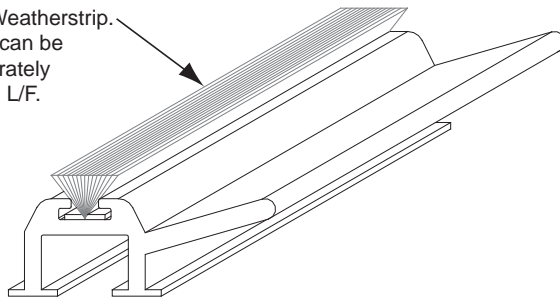
Size	Length	White	Bronze	Sand	Green	Eggshell	Brick Red	Jet Black
Retro	78 1/8"	097390	097394	097398	097402	097406	097410	097414
6-10	81 1/8"	097391	097395	097399	097403	097407	097411	097415
7-2	85 1/8"	097392	097396	097400	097404	097408	097412	097416
8-0	94 1/8"	097393	097397	097401	097405	097409	097413	097417

Right Exterior Interlock Color & Part No.

Size	Length	White	Bronze	Sand	Green	Eggshell	Brick Red	Jet Black
Retro	78 1/8"	097442	097438	097434	097430	097426	097422	097418
6-10	81 1/8"	097443	097439	097435	097431	097427	097423	097419
7-2	85 1/8"	097444	097440	097436	097432	097428	097424	097420
8-0	94 1/8"	097445	097441	097437	097433	097429	097425	097421

### 5 Interior Interlock - Active Panel

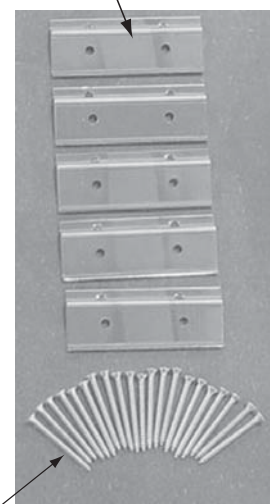
Shown with Weatherstrip. Weatherstrip can be ordered separately Part# 024503 L/F.



Size	Length	Sand
Retro	75 1/8"	097171
6-10	78 1/8"	097172
7-2	82 1/8"	019495
8-0	91 1/8"	097173

### 6 Sidelite Panel Clip Bracket

Part# 098542



#6 x 1 1/4" PH FH SM SS Screws for installation  
Ordered separately, Part# 085469 Qty 4 per bracket

Note: Parts drawings not to scale.

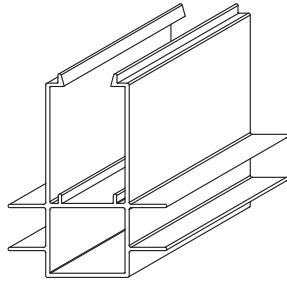
February/2009 April/2009

© 2009 Hurd Windows & Doors

ESLPD-2 MISC

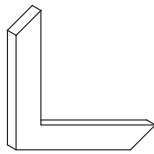
**Miscellaneous**

**7 Mull Jamb Aluminum Cladding, 3 Wide Units**



Color	Lineal Foot	Part No.
White	020623	8' 1/16"
Bronze	020624	
Sand	020625	
Green	020626	
Eggshell	020627	
Brick Red	020628	
Jet Black		095302

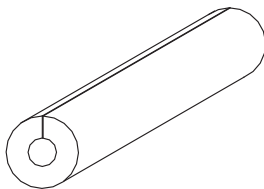
**8 Frame Corner Key** Part# 011675



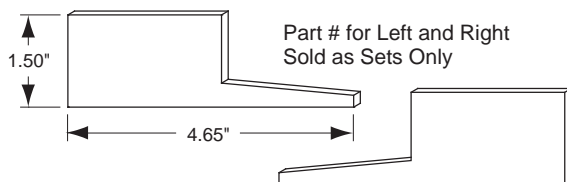
**9 Panel Adjustment Hole Plugs** Part# 010612



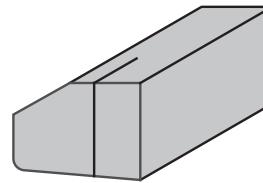
**10 Operating Door Sill Bumper** Part# 022510



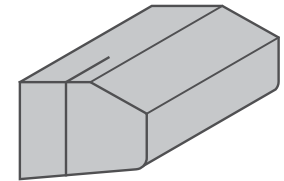
**11 Sill Gasket** Part# 037343



**12 Sill Dust Pad** Part# 097517 Left  
097516 Right

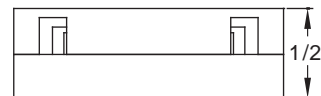


Left



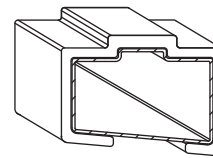
Right

**13 Sill Weep Cover** Part# 097825 Dark Bronze

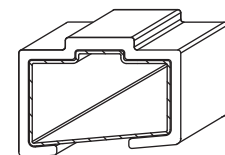


**14 Weeped Stationary Plug**

Part# 076596 Left  
076597 Right



Left



Right

Note: Parts drawings not to scale.

# Sliding & French Sliding Patio Door

Energy Saver Aluminum Clad Wood

Replacement Parts

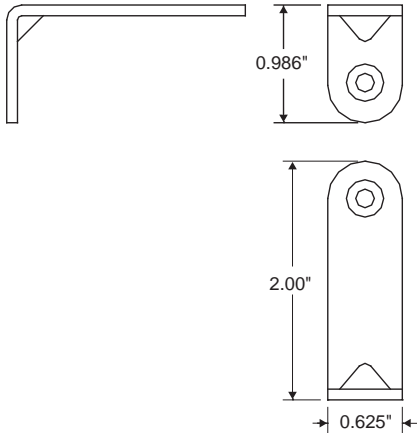
**Hurd**  
Windows and Doors

## Anti-Theft Bracket, Screen Stop and Panel Guide

### 15 Anti-Theft Bracket

Part# 025776, Stainless Steel

Please Note: Bracket is also used in the DP55 Upgrade Package

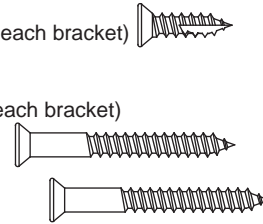


Fasteners used for installation:

#8 x 5/8" PH FL HD S.S. Screw (Qty 1 each bracket)  
Part# 076981

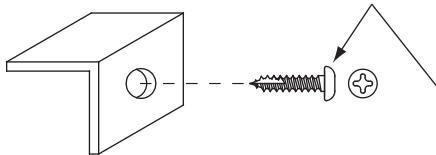
#8 x 1 1/2" PH FL S.S. Screws (Qty 2 each bracket)  
Part# 076007

*Please order screws separately.*



### 16 Screen Stop, Clear Anodized Aluminum

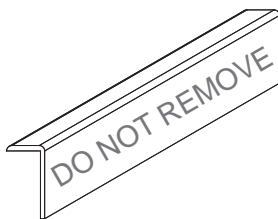
Part# 018885



#6 x 5/8" Pan Head S.S. Screw  
Part# 017989 is used for installation.  
Order screw separately.

### 17 Panel Guide, 2 Per Panel

Part# 096505



Note: Parts drawings not to scale.

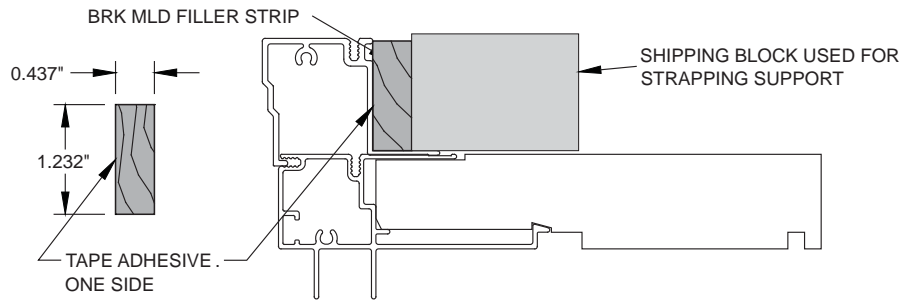
February/2009 April/2009

© 2009 Hurd Windows & Doors

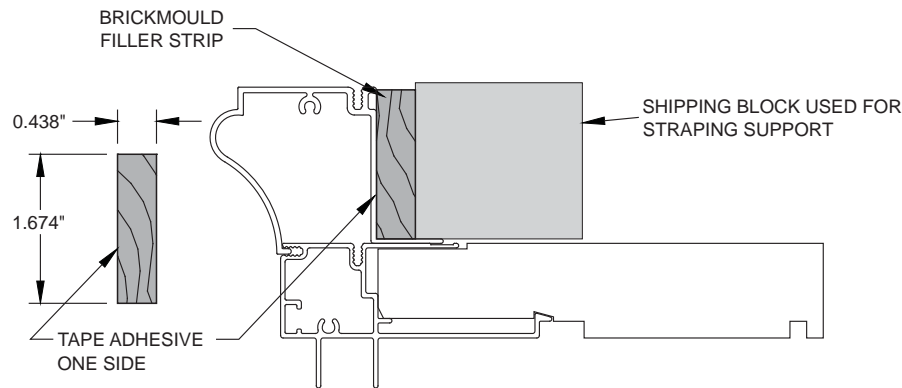
ESLPD-4 MISC

**Wood Filler Blocks for Aluminum Brick Mould & Flat Casing**

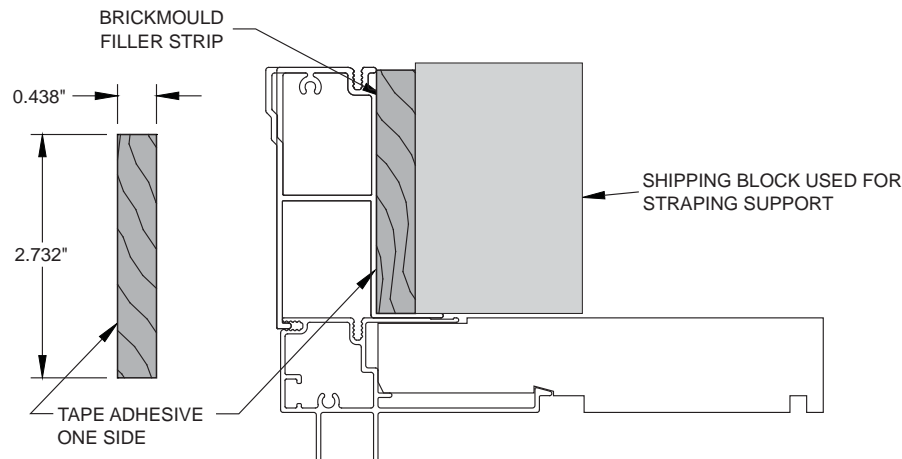
**18 2 1/2" Brick Mould Wood Filler Strip Part# 212762**



**19 Ovalo Brick Mould Wood Filler Strip Part# 216146**



**20 3 1/2" Brick Mould & 3 1/2" Flat Casing Wood Filler Strip Part# 216057**



Note: Parts drawings not to scale.