

*Hurd*<sup>TM</sup>

*Energy Saver Clad Wood*

*Outswing & Inswing Patio Door  
Parts Pages  
for:*

*Handle Sets, Standard & Rustic*

---

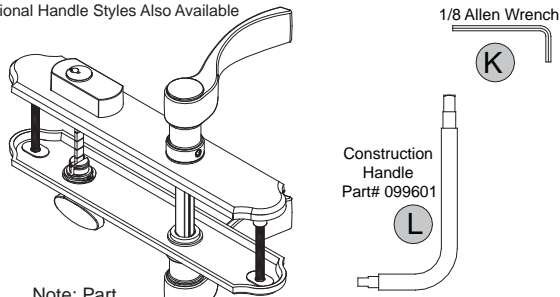
## Active Handle Set

Handle Sets, 1 Per Box Include Parts Shown

Description	Part# & Handle Style		
	Traditional	Capri	Loft
Bright Brass w/ Top Coat	099648	099666	099684
Antique Brass w/ Top Coat	099649	099667	099685
Brushed Chrome	099650	099668	099686
Polished Chrome	099651	099669	099687
Oil Rubbed Bronze (Painted)	099824	099825	099826
White Painted	099653	099671	099689
Champagne Painted	017418	017419	017420

Assembled 3D View

Traditional Style handle Shown  
Optional Handle Styles Also Available



Note: Part drawings not to scale.

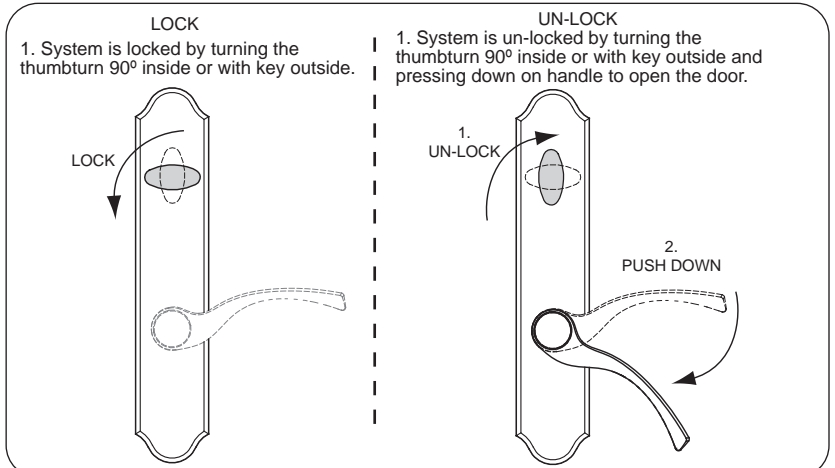
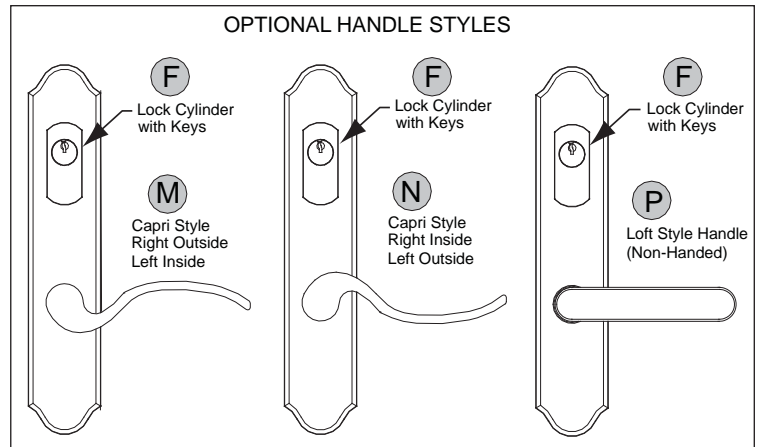
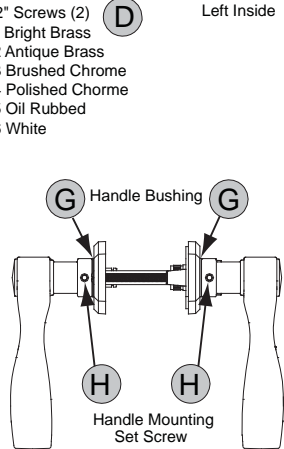
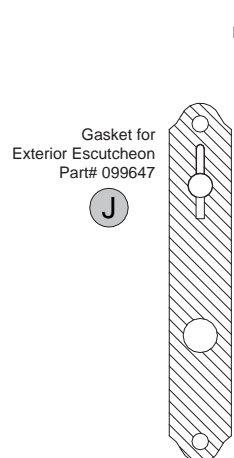
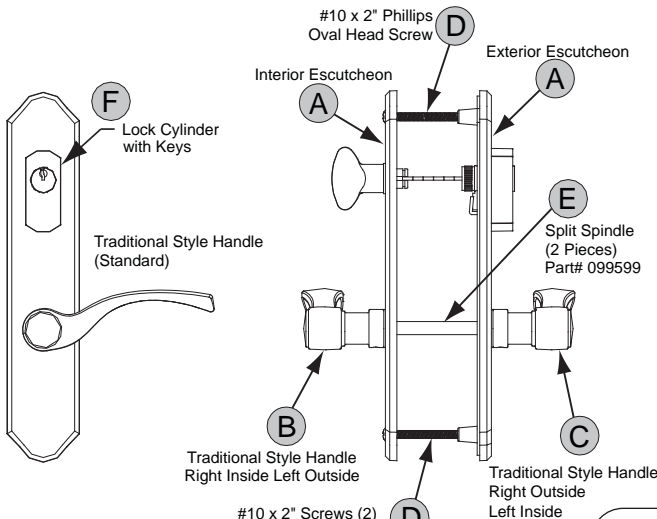
BILL OF MATERIAL for Each Handle Set Package

ID	QTY	Description	Part#
	1	Handle Set, Swing Patio Door Active	
	1	Handle Set, Swing Patio Door Active Sub-Assy	
(A)	Pair	Interior & Exterior Escutcheon	
(B)	1	Handle, RI LO	
(C)	1	Handle, RO LI	
(D)	2	#10-32 X 2" Phillips Oval Head Screw	Brass 099641 White 099646
(E)	1	Split Spindle (Two Piece)	099599
(F)	1	Lock Cylinder with Keys	099614 Keyed Random 099615 Keyed Alike
(G)	2	Bushing, Handle	099597
(H)	2	Set Screw, Handle Mounting	099598
(J)	1	Gasket for Exterior Escutcheon	099647
(K)	1	1/8 Allen Wrench	
(L)	1	Construction Handle	099601

ID QTY Optional Handle Styles

- (M) 1 Handle, RO LI Capri Style
- (N) 1 Handle, RI LO Capri Style
- (P) 2 Handle, Non-Handed Loft Style

Note: Individual Parts shown with part numbers, can be ordered separately.

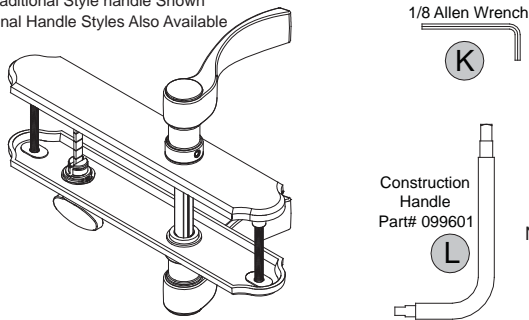


### Semi-Active Handle Set

Handle Sets, 1 Per Box Include Parts Shown

Description	Part# & Handle Style		
	Traditional	Capri	Loft
Bright Brass w/ Top Coat	099654	099672	099690
Antique Brass w/ Top Coat	099655	099673	099691
Brushed Chrome	099656	099674	099692
Polished Chrome	099657	099675	099693
Oil Rubbed Bronze (Painted)	099827	099828	099829
White Painted	099659	099677	099695
Champagne Painted	017421	017422	017423

**Assembled 3D View**  
Traditional Style handle shown  
Optional Handle Styles Also Available



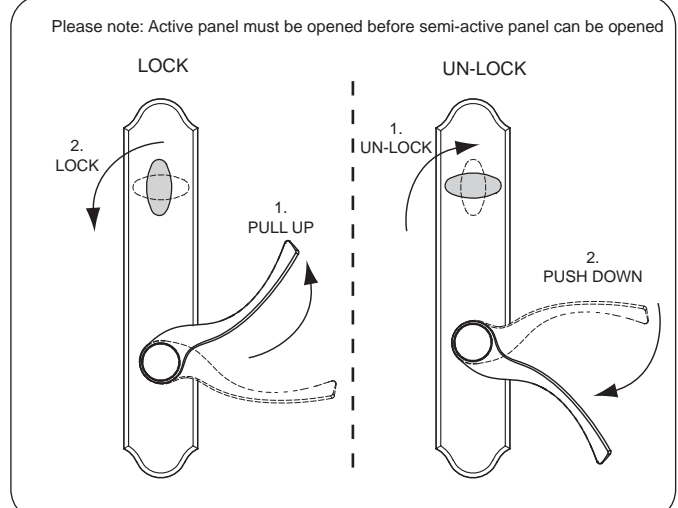
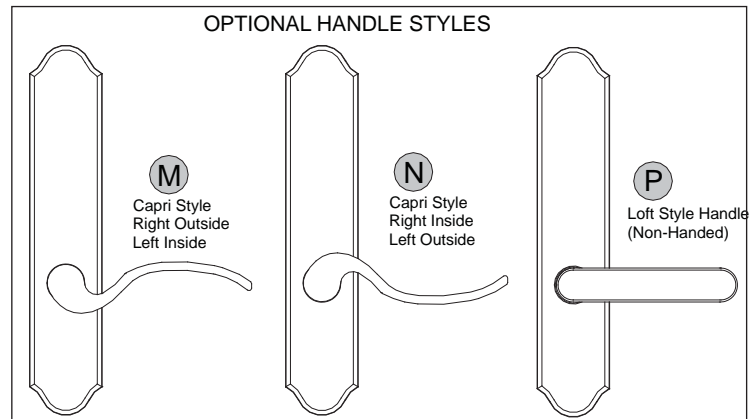
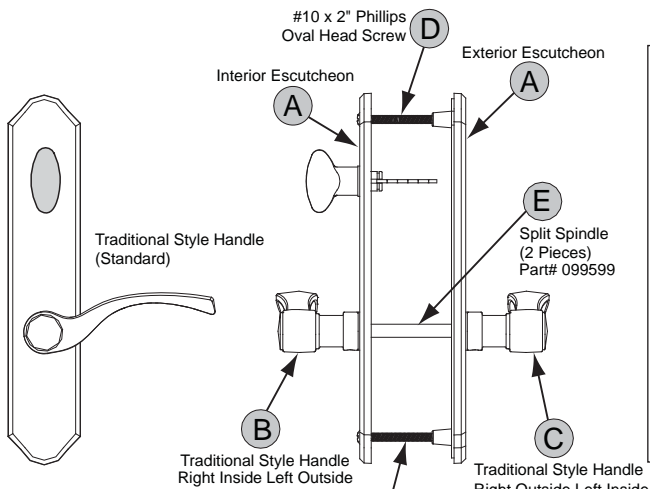
**BILL OF MATERIAL for Each Handle Set Package**

ID	QTY	Description	Part#
	1	Handle Set, Swing Patio Door Semi-Active	
	1	Handle Set, Swing Patio Door Semi-Active Sub-Assy	
(A)	Pair	Interior & Exterior Escutcheon	
(B)	1	Handle, RI LO	
(C)	1	Handle, RO LI	
(D)	2	#10-32 X 2" Phillips Oval Head Screw — Brass White	099641 099646
(E)	1	Split Spindle (Two Piece)	099599
(F)	1	Thumb Turn Tung	099600
(G)	2	Bushing, Handle	099597
(H)	2	Set Screw, Handle Mounting	099598
(J)	1	Gasket for Exterior Escutcheon	099647
(K)	1	1/8 Allen Wrench	
(L)	1	Construction Handle	099601

**ID QTY Optional Handle Styles**

- (M) 1 Handle, RO LI Capri Style
- (N) 1 Handle, RI LO Capri Style
- (P) 2 Handle, Non-Handed Loft Style

Note: Individual Parts shown with part numbers, can be ordered separately.



Note: Part drawings not to scale.

### Dummy Handle Set

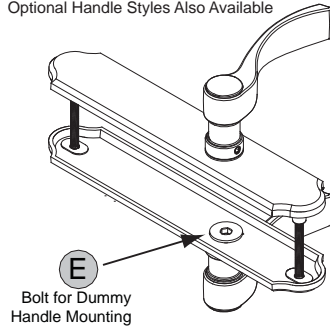
**Handle Sets, 1 Per Box Include Parts Shown**

Description	Part# & Handle Style		
	Traditional	Capri	Loft
Bright Brass w/ Top Coat	099660	099678	099696
Antique Brass w/ Top Coat	099661	099679	099697
Brushed Chrome	099662	099680	099698
Polished Chrome	099663	099681	099699
Oil Rubbed Bronze (Painted)	099830	099831	099832
White Painted	099665	099683	099701
Champagne Painted	017424	017425	017426

BILL OF MATERIAL for Each Handle Set Package

ID	QTY	Description	Part#
	1	Handle Set, Swing Patio Door Dummy	
	1	Handle Set, Swing Patio Door Dummy Sub-Assy	
(A)	Pair	Interior & Exterior Escutcheon	
(B)	1	Handle, RI LO Dummy	
(C)	1	Handle, RO LI Dummy	
(D)	2	#10-32 X 2" Phillips Oval Head Screw	Brass White 099641 099646
(E)	1	Bolt for Dummy Handle Mounting	
(F)	1	Gasket for Exterior Escutcheon	099647
(G)	1	1/4 Allen Wrench	

Assembled 3D View  
Traditional Style handle Shown  
Optional Handle Styles Also Available

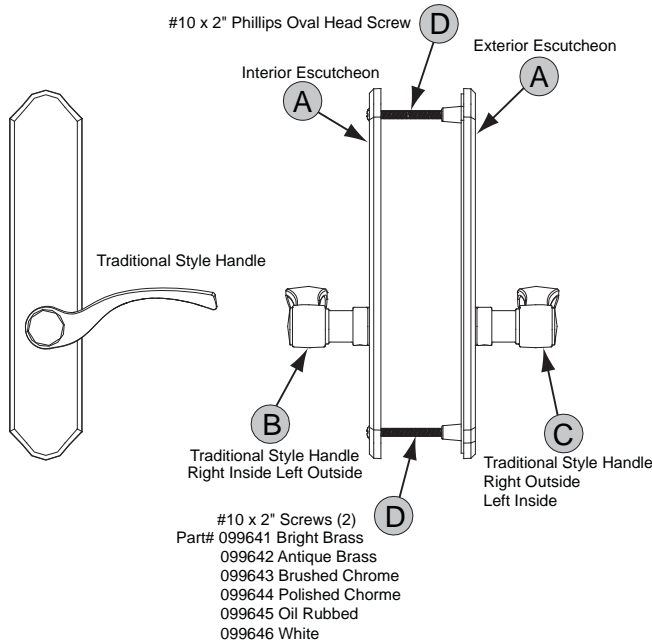
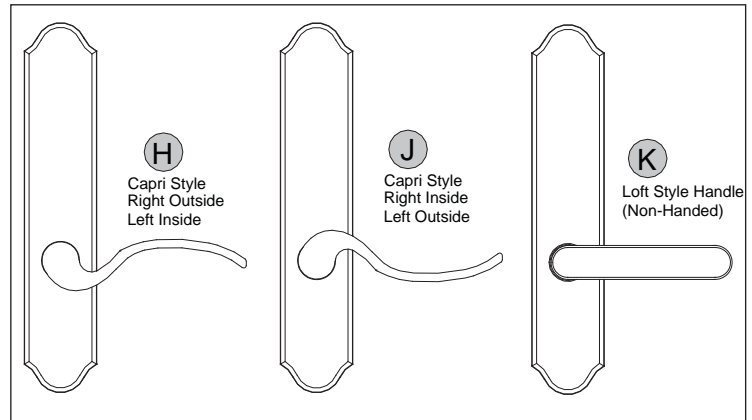


Note: Individual Parts shown with part numbers, can be ordered separately.

ID QTY Optional Handle Styles

- (H) 1 Handle, RI LO Capri Style
- (J) 1 Handle, RO LI Capri Style
- (K) 2 Handle, Non-Handed Loft Style

**OPTIONAL HANDLE STYLES**



Gasket for Exterior Escutcheon  
Part# 099647 (F)



Note: Parts drawings not to scale.

Rustic Style Active Handle Set

Handle Sets, 1 Per Box Include Parts Shown

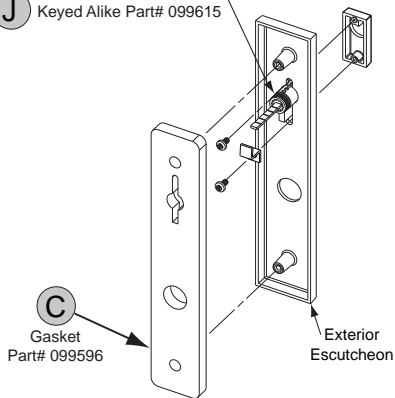
Description	Part#
Light Bronze	099588
Dark Bronze	099589



Exterior Escutcheon Assembly  
Assembly of Gasket, Exterior Escutcheon  
& Key Cylinder w/Key & Tung

Key Cylinder with Key and Tung

- (H)** Keyed Random Part# 099614
- (J)** Keyed Alike Part# 099615

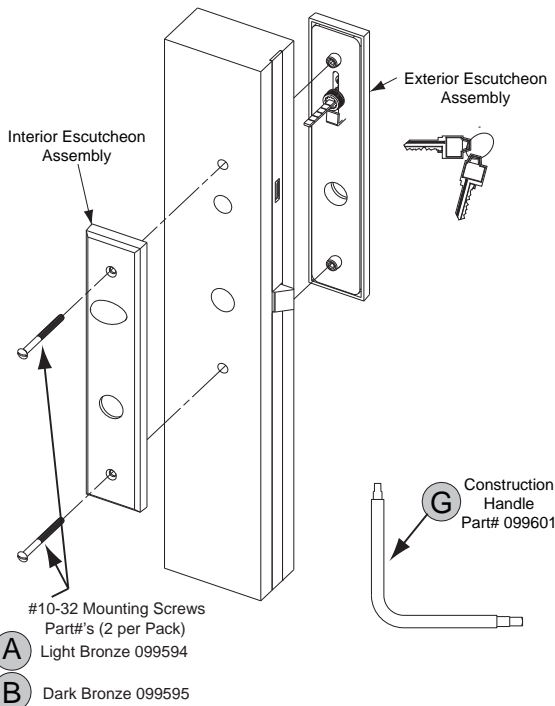


Replacement Parts

ID	Description	Part#
<b>(A)</b>	Light Bronze Mounting Screws	099594
<b>(B)</b>	Dark Bronze Mounting Screws	099595
<b>(C)</b>	Gasket, Escutcheon	099596
<b>(D)</b>	Handle Bushing	099597
<b>(E)</b>	Handle Set Screw	099598
<b>(F)</b>	Split Spindle (Two Piece)	099599
<b>(G)</b>	Construction Handle	099601
<b>(H)</b>	Keyed Cylinder - KEYED RANDOM	099614
<b>(J)</b>	Keyed Cylinder - KEYED ALIKE	099615

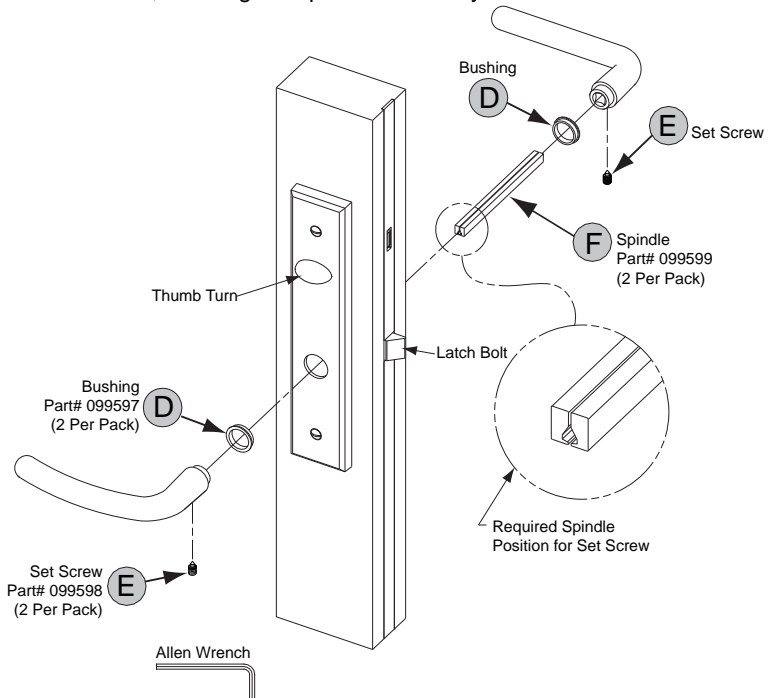
Note: Individual Parts shown with part numbers, can be ordered separately.

Exterior & Interior Escutcheon Assembly



- (A)** #10-32 Mounting Screws Part#'s (2 per Pack) Light Bronze 099594
- (B)** Dark Bronze 099595

Handles, Bushings & Spindle Assembly



Note: Parts drawings not to scale.

Rustic Style Semi-Active Handle Set

Handle Sets, 1 Per Box Include Parts Shown

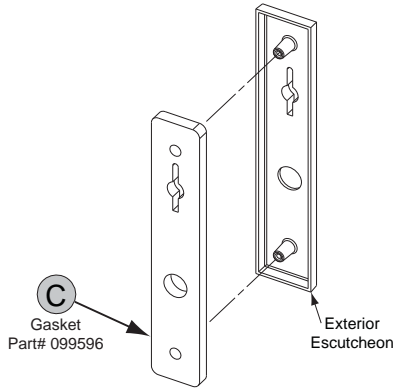
Description	Part#
Light Bronze	099590
Dark Bronze	099591

Replacement Parts

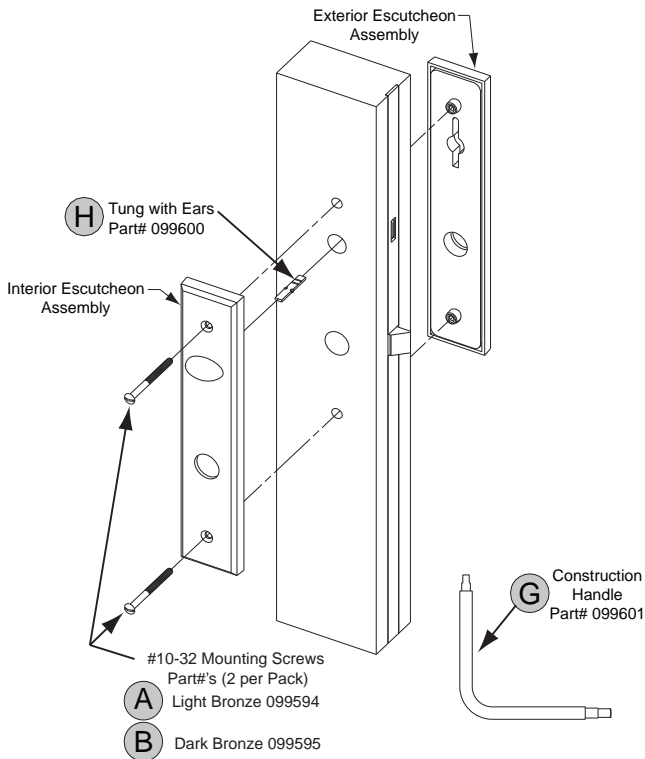
ID	Description	Part#
(A)	Light Bronze Mounting Screws	099594
(B)	Dark Bronze Mounting Screws	099595
(C)	Gasket, Escutcheon	099596
(D)	Handle Bushing	099597
(E)	Handle Set Screw	099598
(F)	Split Spindle (Two Piece)	099599
(G)	Construction Handle	099601
(H)	Tung with Ears	099600

Note: Individual Parts shown with part numbers, can be ordered separately.

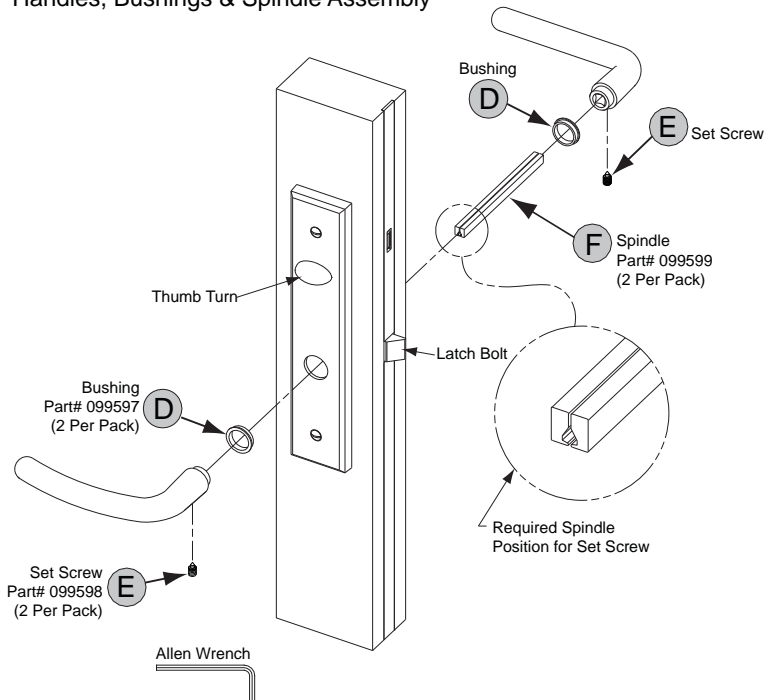
Exterior Escutcheon Assembly



Exterior & Interior Escutcheon Assembly



Handles, Bushings & Spindle Assembly



Note: Parts drawings not to scale.

Rustic Style Dummy Handle Set

Handle Sets, 1 Per Box Include Parts Shown

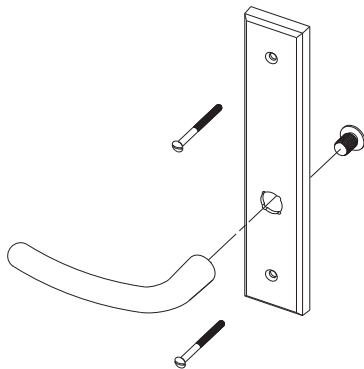
Description	Part#
Light Bronze	099592
Dark Bronze	099593

Replacement Parts

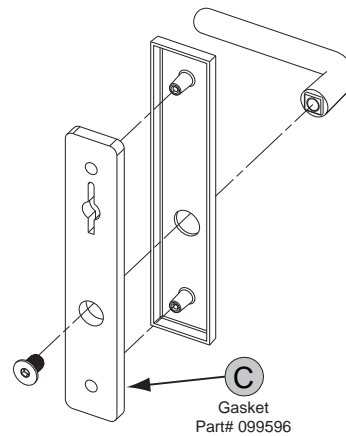
ID	Description	Part#
(A)	Light Bronze Mounting Screws	099594
(B)	Dark Bronze Mounting Screws	099595
(C)	Gasket, Escutcheon	099596

Note: Individual Parts shown with part numbers, can be ordered separately.

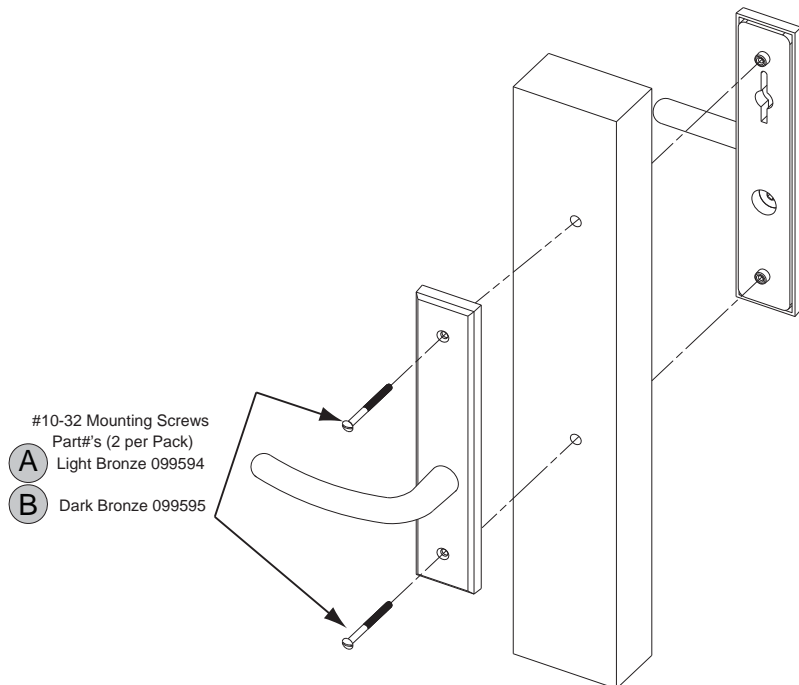
Interior Escutcheon Assembly



Exterior Escutcheon Assembly



Interior & Exterior Escutcheon Assemblies Installed



Note: Parts drawings not to scale.



# Rustic Style Active Handle Set Installation Swing Patio Doors

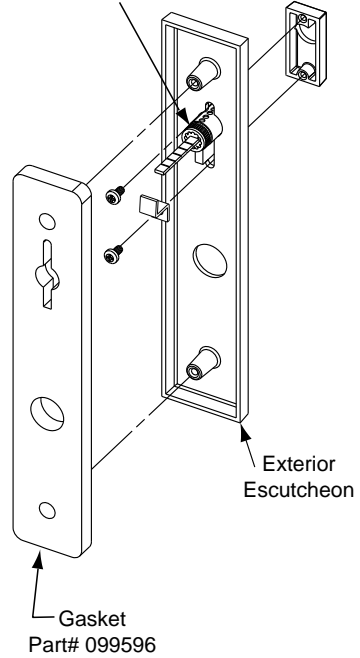


Ref. Item 90243 Rev 2

## Step 1

Exterior Escutcheon Assembly  
(Assembly of Gasket, Exterior Escutcheon  
& Key Cylinder w/Key & Tung )

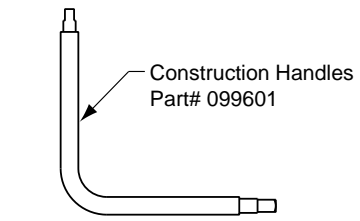
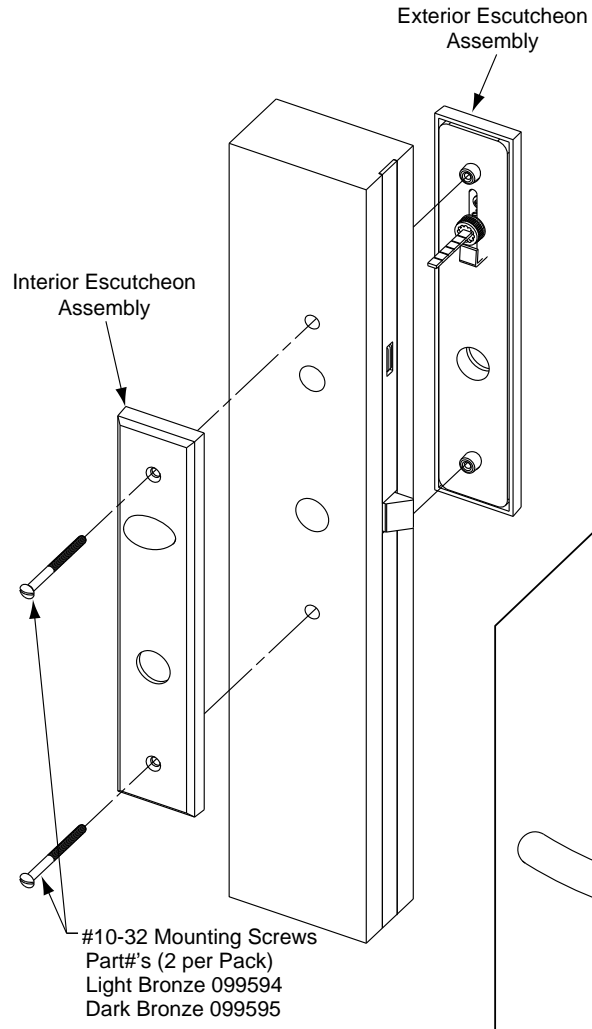
Key Cylinder with Key and Tung  
Keyed Random Part# 099614  
Keyed Alike Part# 099615



Notes  
• Mount lock cylinder to exterior escutcheon.

## Step 2

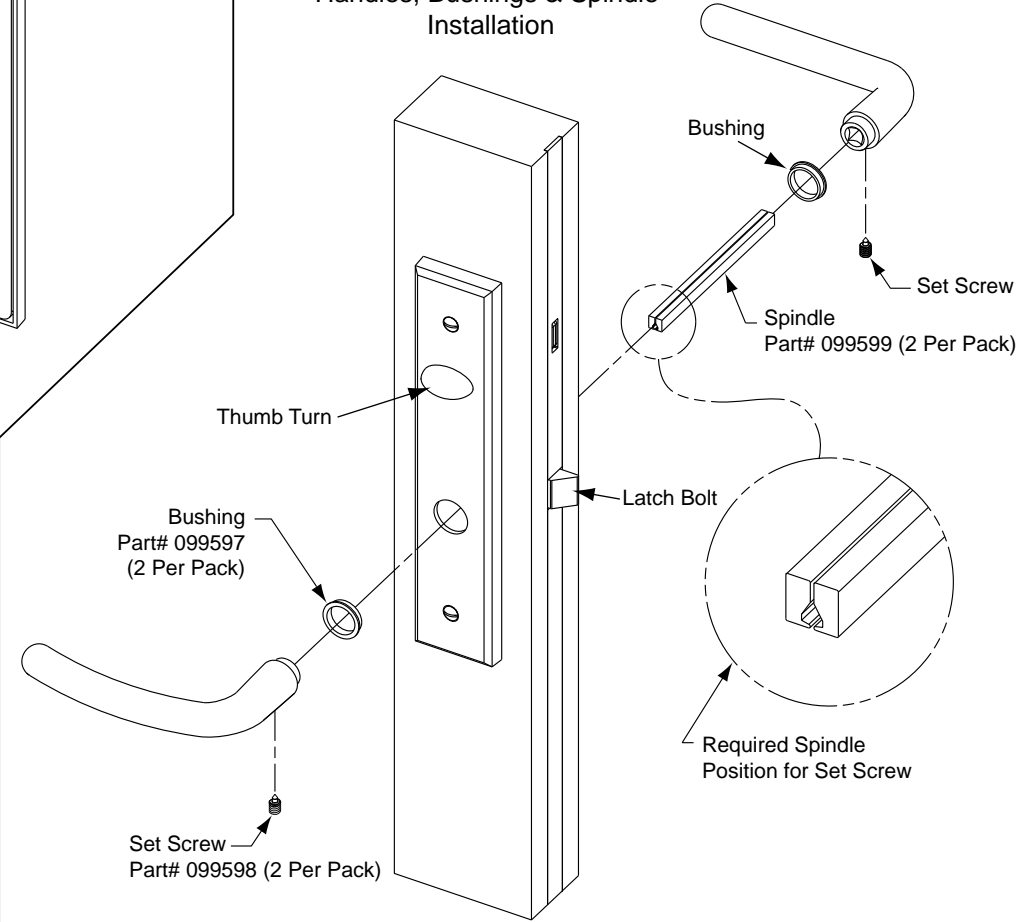
Exterior & Interior Escutcheon Assembly Installation



Notes:  
• Attach Escutcheon Assemblies to Door Stile with Mounting Screws. **Do Not** Tighten all the way.

## Step 3

Handles, Bushings & Spindle Installation



Notes:  
• Mount one handle to the spindle with set screw. Review the spindle position with respect to the set screw as shown in the illustration above.  
• Engage and disengage the latch bolt several times. When the handle operates smoothly, hand tighten the bottom mounting screw. **Do Not** over tighten mounting screws as damage can result in the escutcheons.  
• Operate the key and thumb turn several times until both function smoothly. Hand tighten top mounting screw. **Do Not** over tighten mounting screws as damage can result in the escutcheons.  
• Position handles so they are seated against the escutcheons properly. Secure with second set screw.



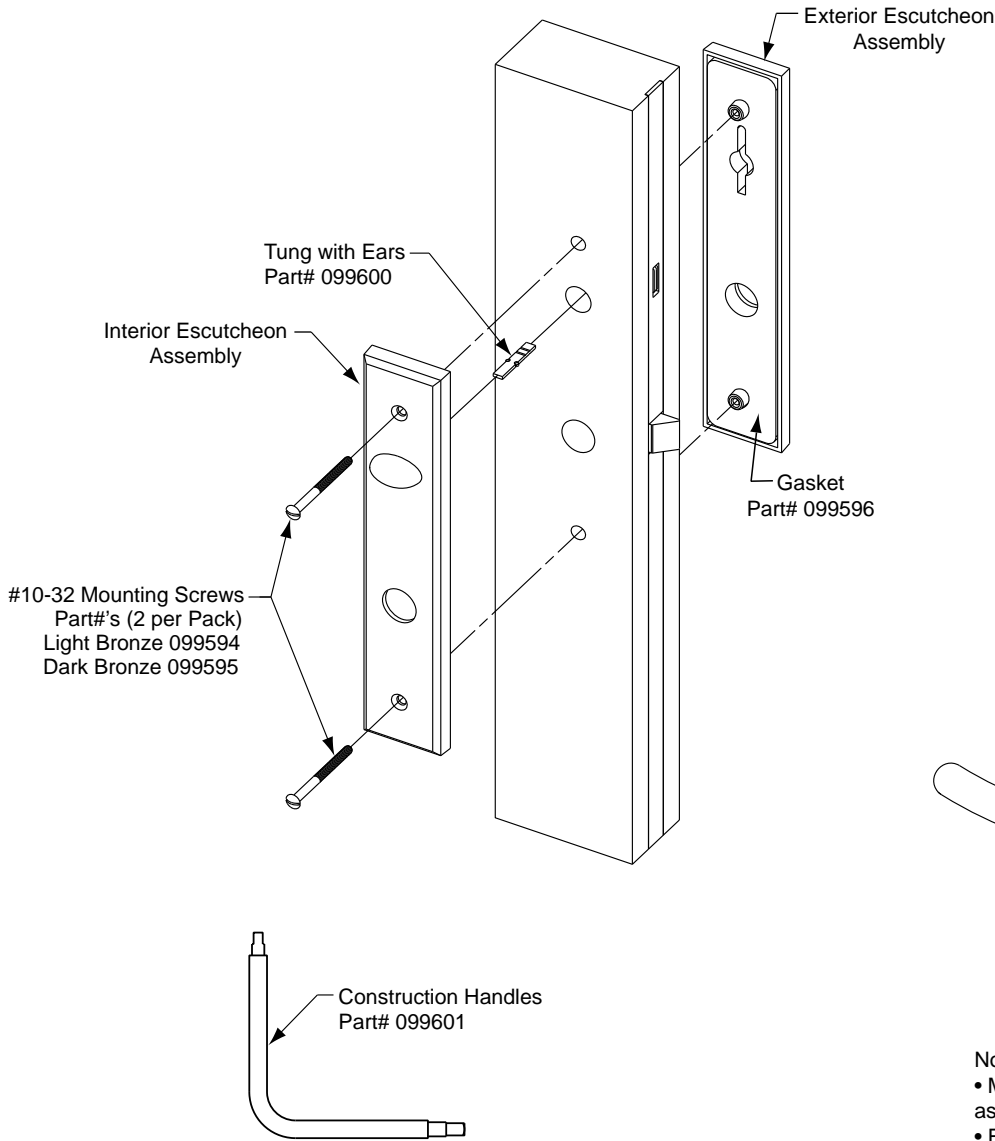
# Rustic Style Semi-Active Handle Set Installation Swing Patio Doors

# Hurd™ Windows and Doors INSTALLATION INSTRUCTIONS

Ref. Item 90244 Rev 2

## Step 1

### Exterior & Interior Escutcheon Assembly Installation

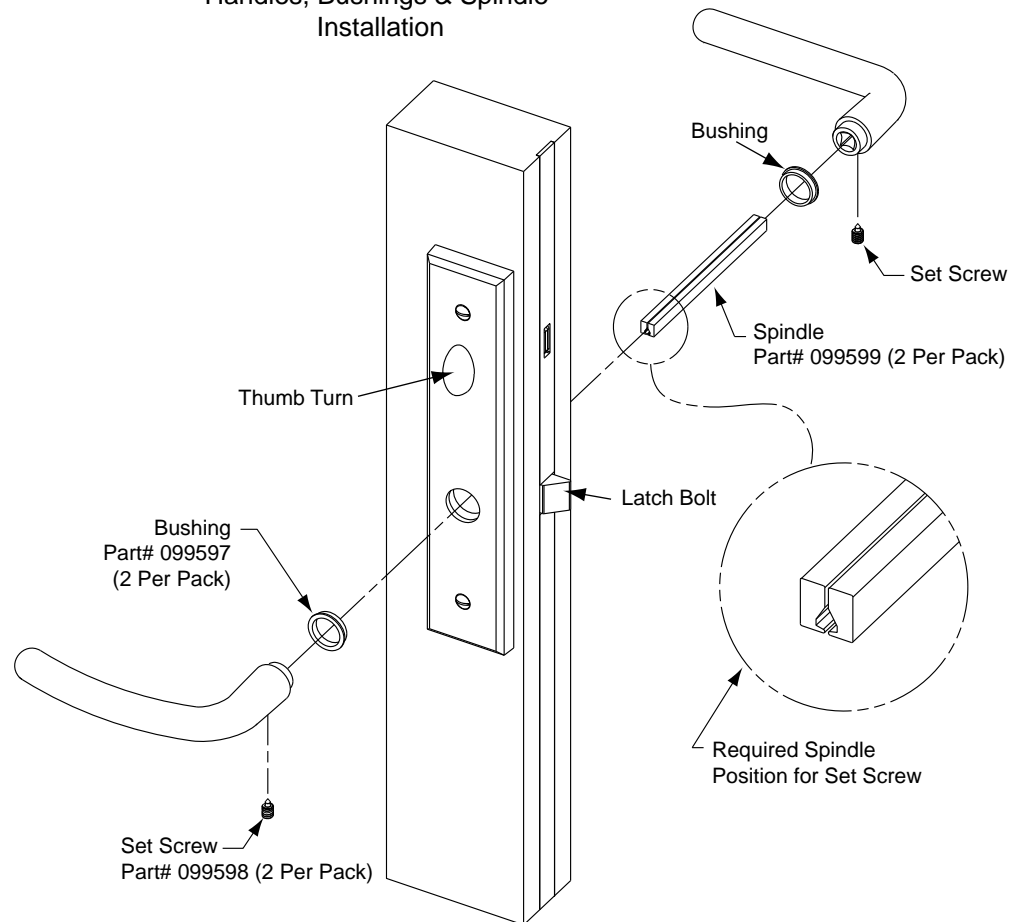


**Notes:**

- Attach Escutcheon Assemblies to Door Stile with Mounting Screws. **Do Not** Tighten all the way.

## Step 2

### Handles, Bushings & Spindle Installation



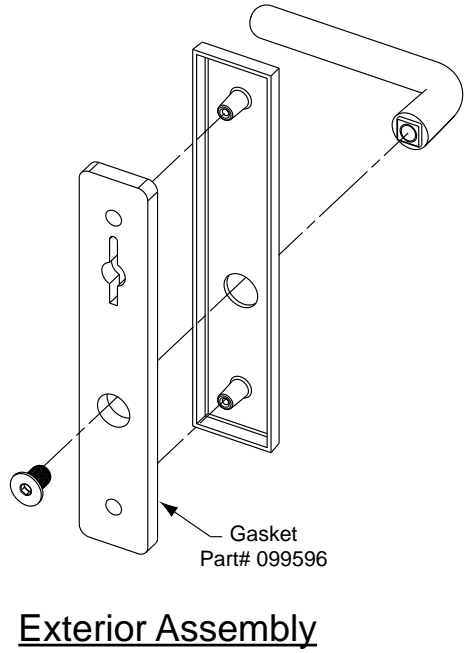
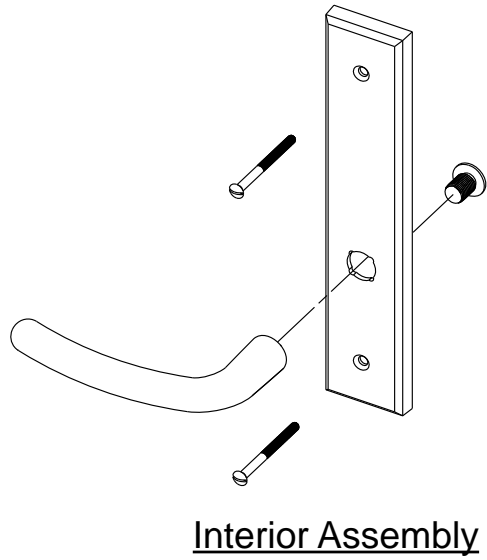
**Notes:**

- Mount one handle to the spindle with set screw. Review the spindle position with respect to the set screw as shown in the illustration above.
- Engage and disengage the latch bolt several times. When the handle operates smoothly, hand tighten the bottom mounting screw. **Do Not** over tighten mounting screws as damage can result in the escutcheons.
- Operate the thumb turn several times until both function smoothly. Hand tighten top mounting screw. **Do Not** over tighten mounting screws as damage can result in the escutcheons.
- Position handles so they are seated against the escutcheons properly. Secure with second set screw.

Rustic Style Dummy Handle Set Installation  
Swing Patio Doors



Ref. Item 90245 Rev 2



Gasket  
Part# 099596

#10-32 Mounting Screws  
Part#'s (2 per Pack)  
Light Bronze 099594  
Dark Bronze 099595

- Notes:
- Hand tighten mounting screws. Do not over tighten mounting screws as damage can result in the escutcheons.