



The Ascent Lock by Truth Hardware is our ultra flexible variation on the classic European style Euro Groove Locking System. With multi-point systems available for both hinged window and door systems, the Ascent Lock allows for “plug n play” adaptability for a wide range of applications without sparing on the quality and reliability that you expect from Truth Hardware.

Designed for aluminum hinged window and doors, this multi-point locking system is designed to fit most common European style profile grooves. With various keeper designs to fit a wide range of frame styles and handles which are interchangeable and reconfigurable for maximum “in-house” flexibility, the Ascent System has been designed to help manufacturers produce a reliable and attractive window and door system

EASY INSTALLATION

The Ascent System consists of pre-assembled components which, compared to competitive systems, greatly reduces the effort needed to install this hardware. Simple “slide-in” design ensures quick production rates and virtually mistake proof installation. Combine this with standardized fasteners which helps keep the number of installation tools to a minimum and your manufacturing efficiencies have been greatly enhanced.

ADJUSTABILITY

Truth’s Ascent System offers adjustability of both the lock point and the keeper producing maximum mounting flexibility and allows each installation to be optimized for peak performance and ease of operation. Lock point load capacity is +300 lbs per roller.

STYLISH

Ascent handles are available in both “classic” and “radius” styling across the window and door offering to help complement the décor of their surroundings. Both handle designs are available in single- or double-throw locking mechanisms and a range of 4 standard finishes which coordinate with existing Truth Hardware offerings.

WINDOW SYSTEMS

Our window lock system provides a wide range of available drive components which enable almost any locking application to be accommodated. From corner drives which allow locking of up to 3 sides on the same sash, to shoot bolts for integrated terrace door applications, our system provides a solution. Rollers on all active lock points help reduce operating force to support ADA requirements.

DOOR SYSTEMS

We also have door handles and escutcheons style matched to the window handles to provide coordinated styling from window to door for combination applications. The door lock drive also utilizes the same lock drive components for easy integration in to your profile systems.

PRODUCT APPLICATION ASSISTANCE:

If you are designing a new window or door profile, or having difficulty selecting hardware, please contact Truth Hardware. Our highly trained Product Specialists can assist you with the selection of the appropriate hardware to meet your performance requirements, as well as providing personalized application drawings.

MATERIALS:

Aluminum compatible design ensures maximum corrosion resistance. Coatings allow no direct contact with ferrous materials.

Locking Handles: Cast zinc or aluminum for high quality feel and reliability.

Lock Components: Cast zinc for strength and durability.



“Classic”
#14051
#14056



“Radius”
#14054
#14058



Adjustable
Lock Point

Center
Drive Block

Adjustable
Lock Point

ASCENT EURO GROOVE LOCKING SYSTEM

WARRANTY:

Protected under the terms of the Truth Warranty for Window & Door Manufacturers & Authorized Distributors. Refer to Truth's Terms & Conditions for further details.

FINISH:

Handles are available in a range of 4 standard decorative powder coated finishes. All functional components are finished in satin "anodized" aluminum plating for maximum durability and corrosion resistance.

ORDERING INFORMATION:

Because of the variety of window and door profiles on the market, Truth recommends that you contact Truth Hardware's Product Specialists to help you identify the components that will best meet your requirements and to provide application assistance when requested. To assist us in helping you identify the products you need, please be prepared to provide Truth with the type and style of profile that you are mounting your hardware to.

RECOMMENDED SCREWS:

Types of screws required determined by material of profile used. See Tech Note #11. Refer to drawings for complete information on screw type and quantity needed (sold separately).

TRUTH TIPS:

1. Truth recommends that when designing a hinged window the sash width should be limited to no greater than 66% of the sash height. A sash width that exceeds 66% could develop sash sag over the life of the window. Refer to Truth Tech Note # 3 for more information dealing with sash sag prevention.
2. When selecting mounting screws for Truth hardware, coating compatibility is one of the most important criteria. For best corrosion resistance the coating on the screws should be the same as the coating on the hardware. For more information see Truth Tech Note #11.
3. On some window designs, binding can be experienced on the hinge side of the window between the outermost edge of the sash and the

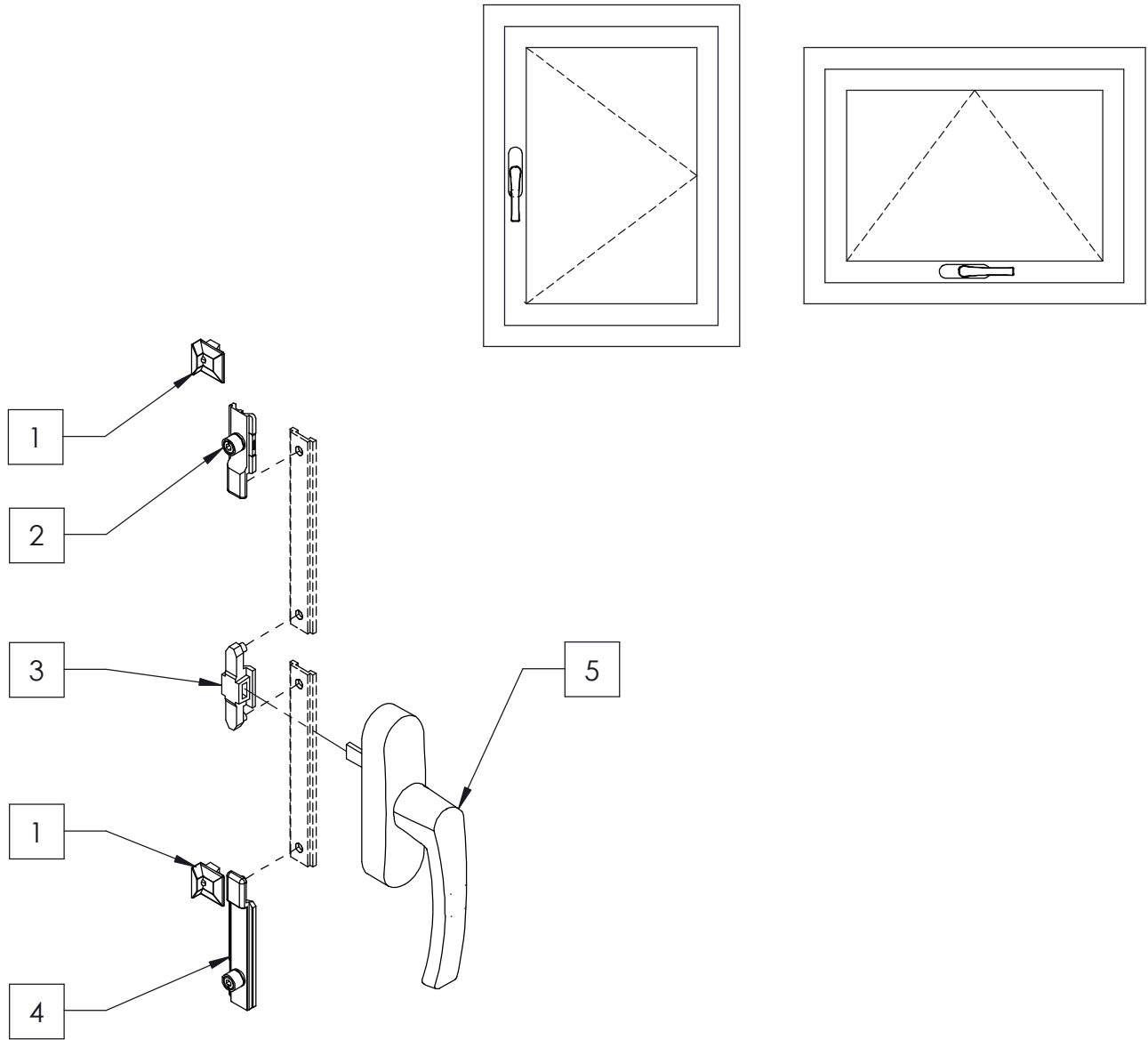
jamb. This problem occurs when switching from standard to and "egress" hinge. If a window system is designed to work with an "egress" hinge, the window system will work with all other Truth Concealed Casement Hinges. When binding is encountered, three solutions are available; a) move hinge location toward outside of the sash, b) increase the clearance between the sash and jamb, and c) decrease the thickness of the sash.

4. Truth's Euro style door lock system utilizes a commonly available European style lock cylinder, available from Truth hardware.

INCLUDE TRUTH SPECS ON YOUR NEXT WINDOW OR DOOR PROJECT

European locking system integrated into window profiles to provide maximum performance for casement and awning window applications. All components are high pressure die castings protected with durable powder coat finishes. Locking points offer adjustability of both lock roller and independent keepers. Ascent locking system as provided by Truth Hardware.

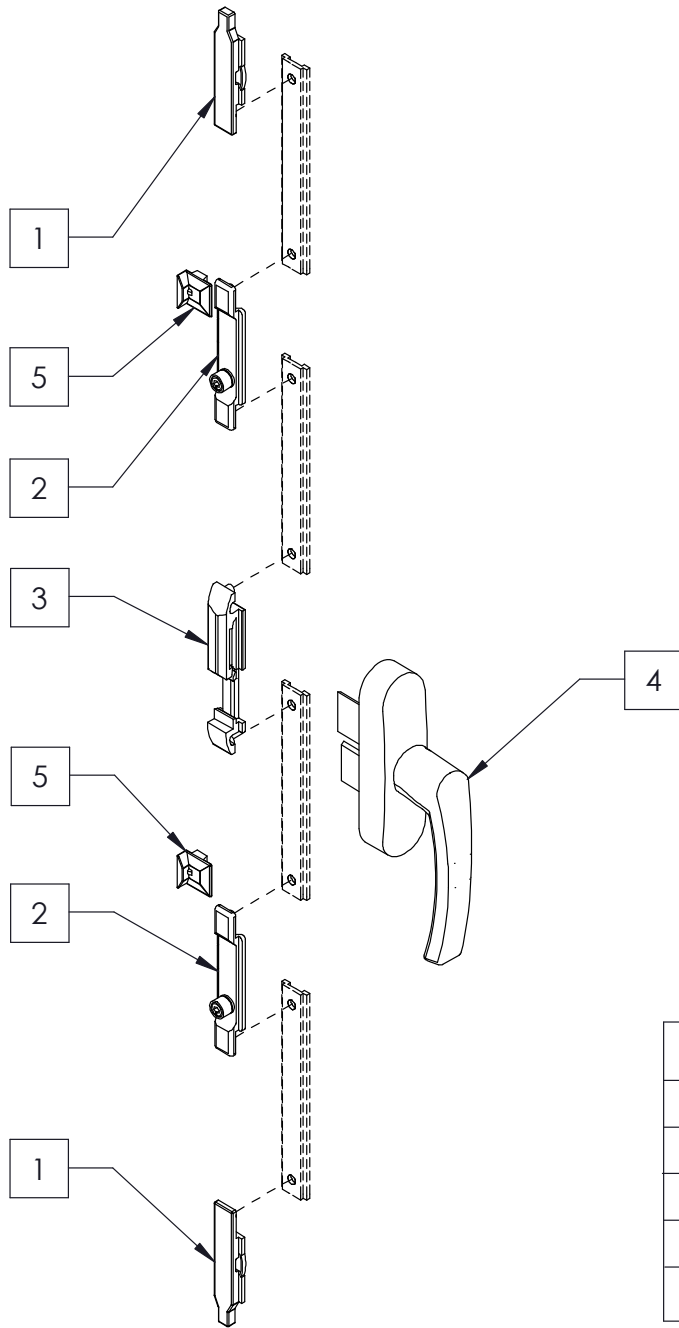
FIG. 1 STANDARD 2 POINT LOCK



| NO. | QTY | PART NO. | DESCRIPTION |
|-----|-----|----------|--------------------|
| 1 | 2 | 14048 | SHORT KEEPER |
| 2 | 1 | 14061 | SHORT END LOCK PT |
| 3 | 1 | 14049 | DRIVE BLOCK |
| 4 | 1 | 14062 | LONG END LOCK PT |
| 5 | 1 | 14051 | CLASSIC STD HANDLE |

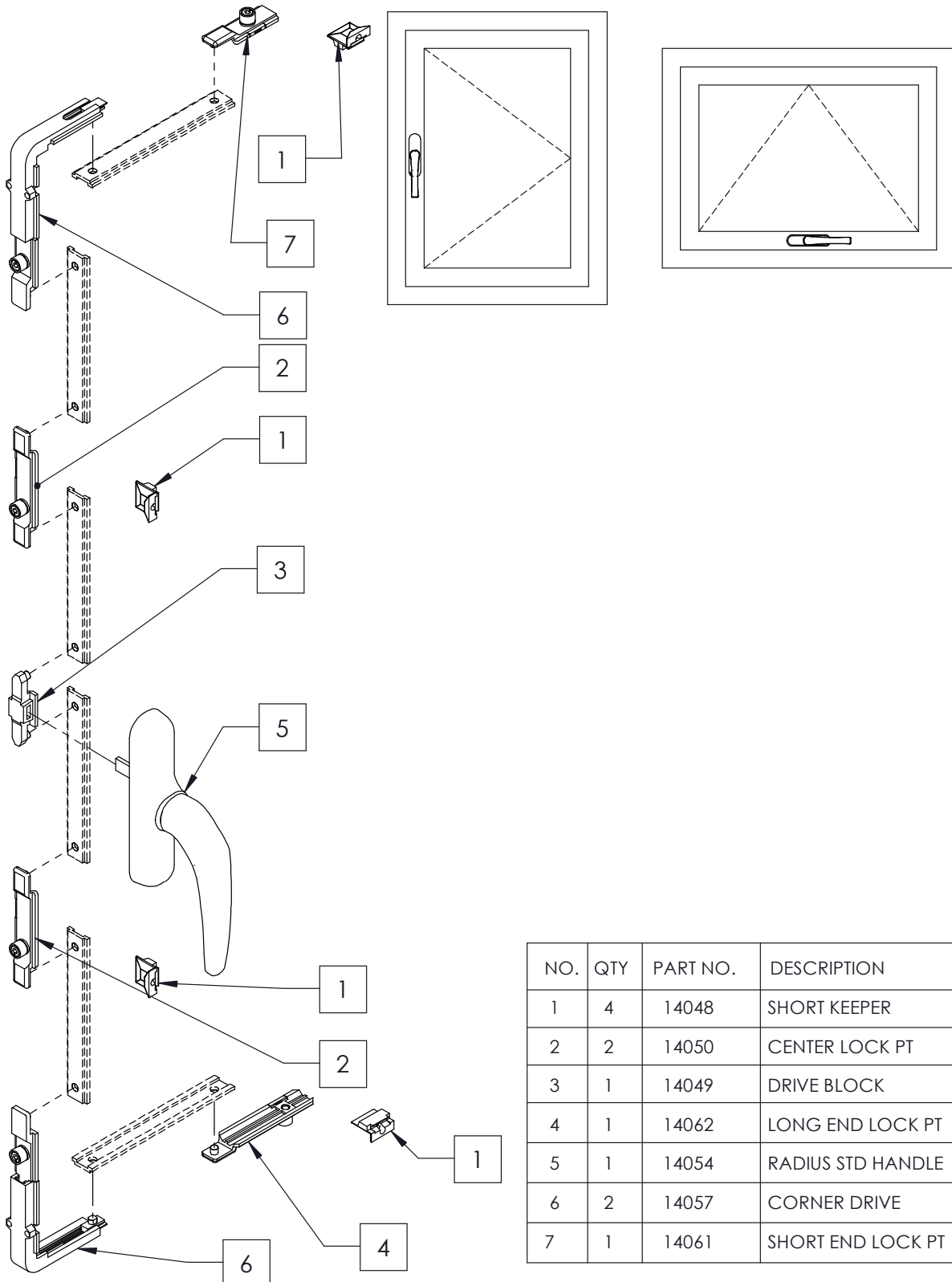
ASCENT EURO GROOVE LOCKING SYSTEM

FIG. 2 2 POINT LOCK WITH SHOOT BOLTS (DUAL DRIVE HANDLE)



| NO. | QTY | PART NO. | DESCRIPTION |
|-----|-----|----------|---------------------|
| 1 | 2 | 14063 | SHOOT BOLT |
| 2 | 2 | 14050 | CENTER LOCK PT |
| 3 | 1 | 14058 | BI - DRIVE BLOCK |
| 4 | 1 | 14056 | CLASSIC DUAL HANDLE |
| 5 | 2 | 14048 | SHORT KEEPERS |

FIG. 3 6 POINT LOCKING ON 3 SIDES OF VENT



| NO. | QTY | PART NO. | DESCRIPTION |
|-----|-----|----------|-------------------|
| 1 | 4 | 14048 | SHORT KEEPER |
| 2 | 2 | 14050 | CENTER LOCK PT |
| 3 | 1 | 14049 | DRIVE BLOCK |
| 4 | 1 | 14062 | LONG END LOCK PT |
| 5 | 1 | 14054 | RADIUS STD HANDLE |
| 6 | 2 | 14057 | CORNER DRIVE |
| 7 | 1 | 14061 | SHORT END LOCK PT |

ASCENT EURO GROOVE LOCKING SYSTEM

FIG. 4 TERRACE DOOR SYSTEM WITH 2 POINT LOCKING

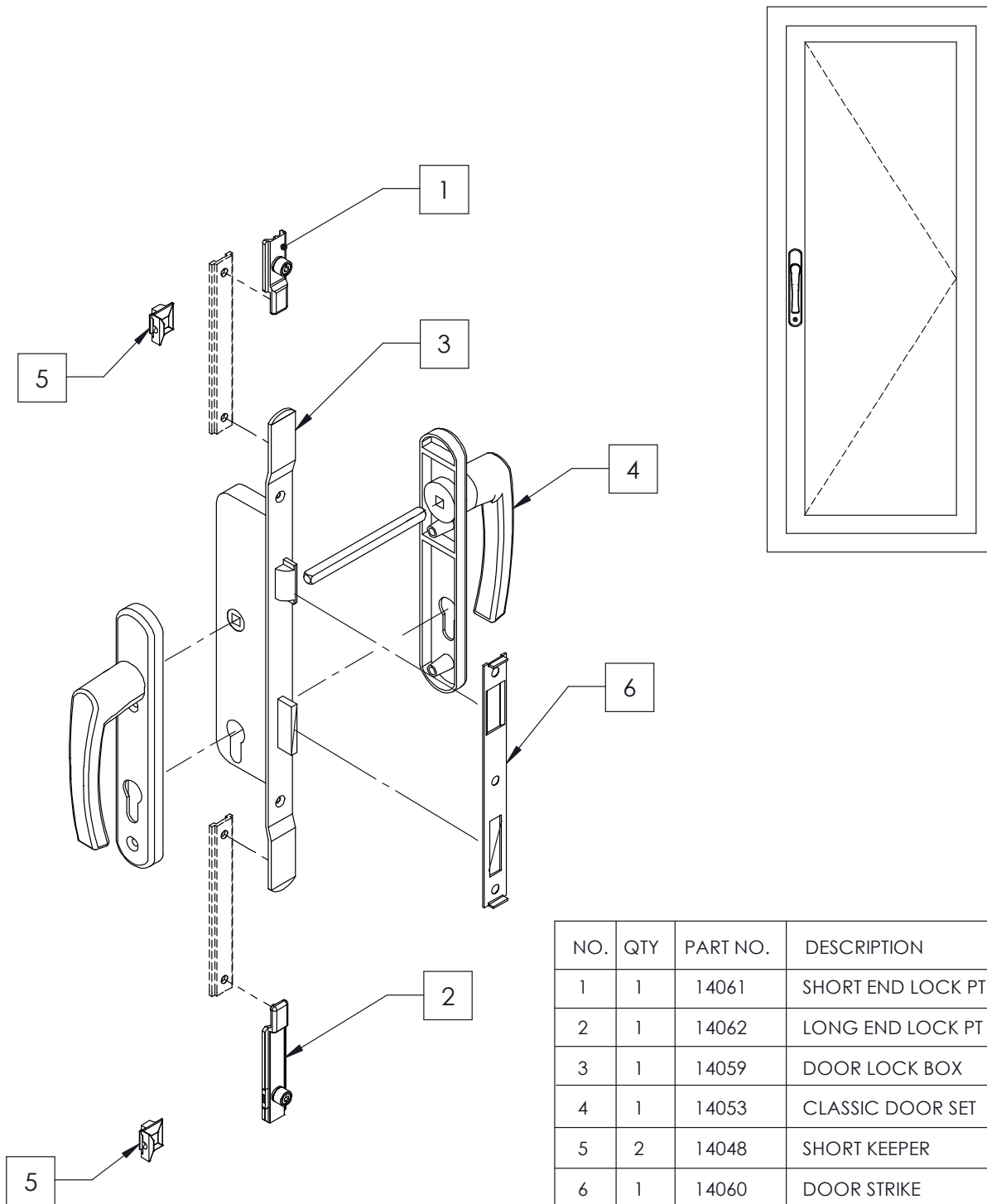
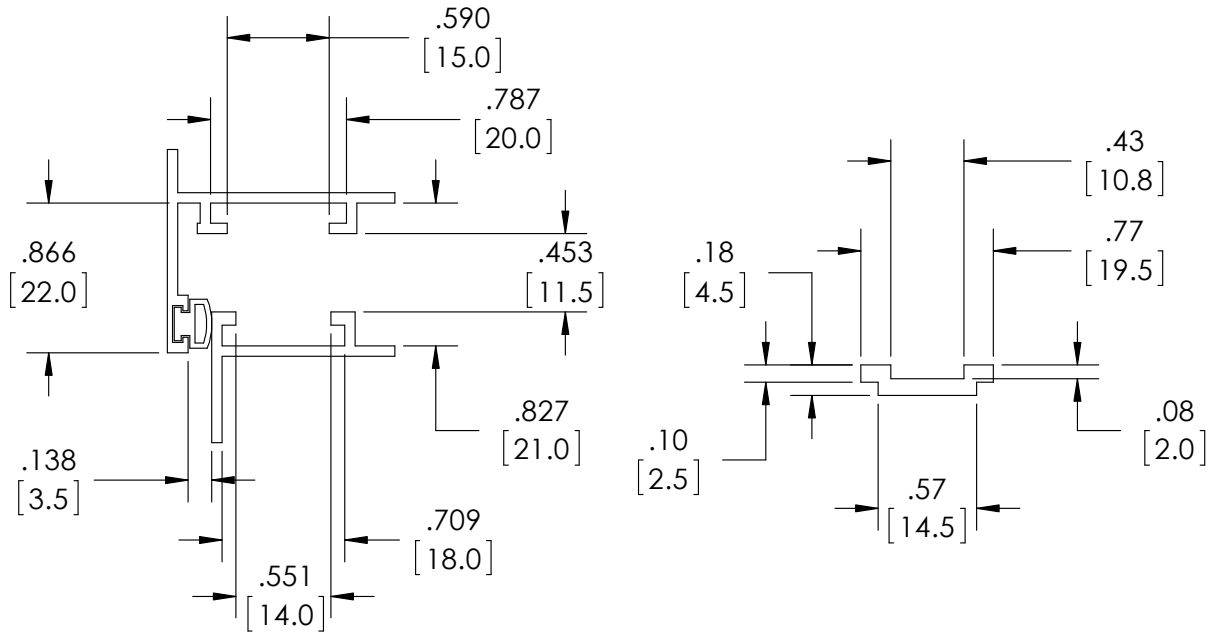
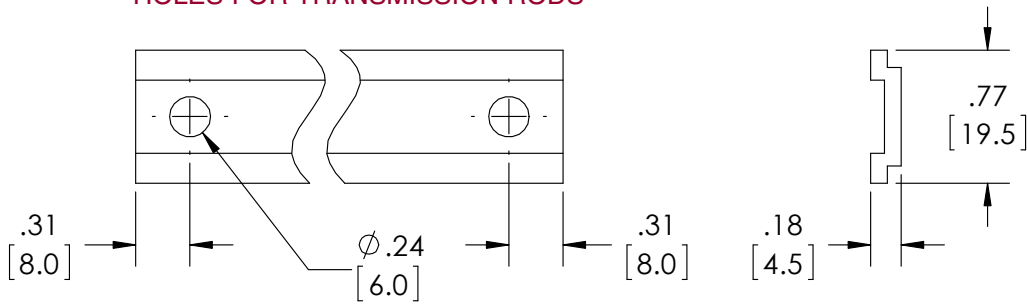


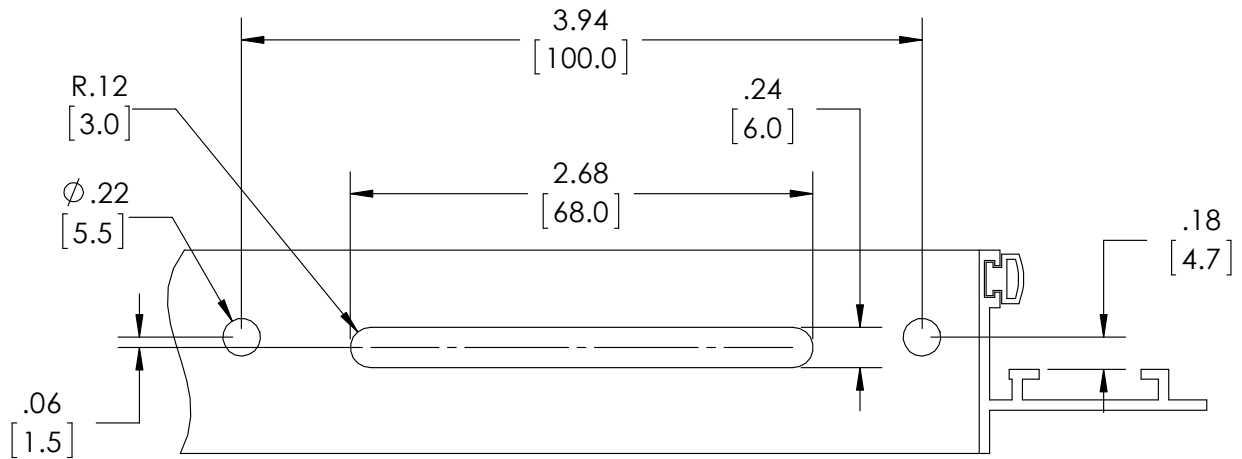
FIG. 5 SPECIFICATION OF THE SLOT SECTION FOR MOVEABLE FITTINGS



HOLES FOR TRANSMISSION RODS



DIMENSION FOR THE HANDLE INSTALLATION



ASCENT EURO GROOVE LOCKING SYSTEM

FIG. 6 OUTSWING 2 POINT LOCK

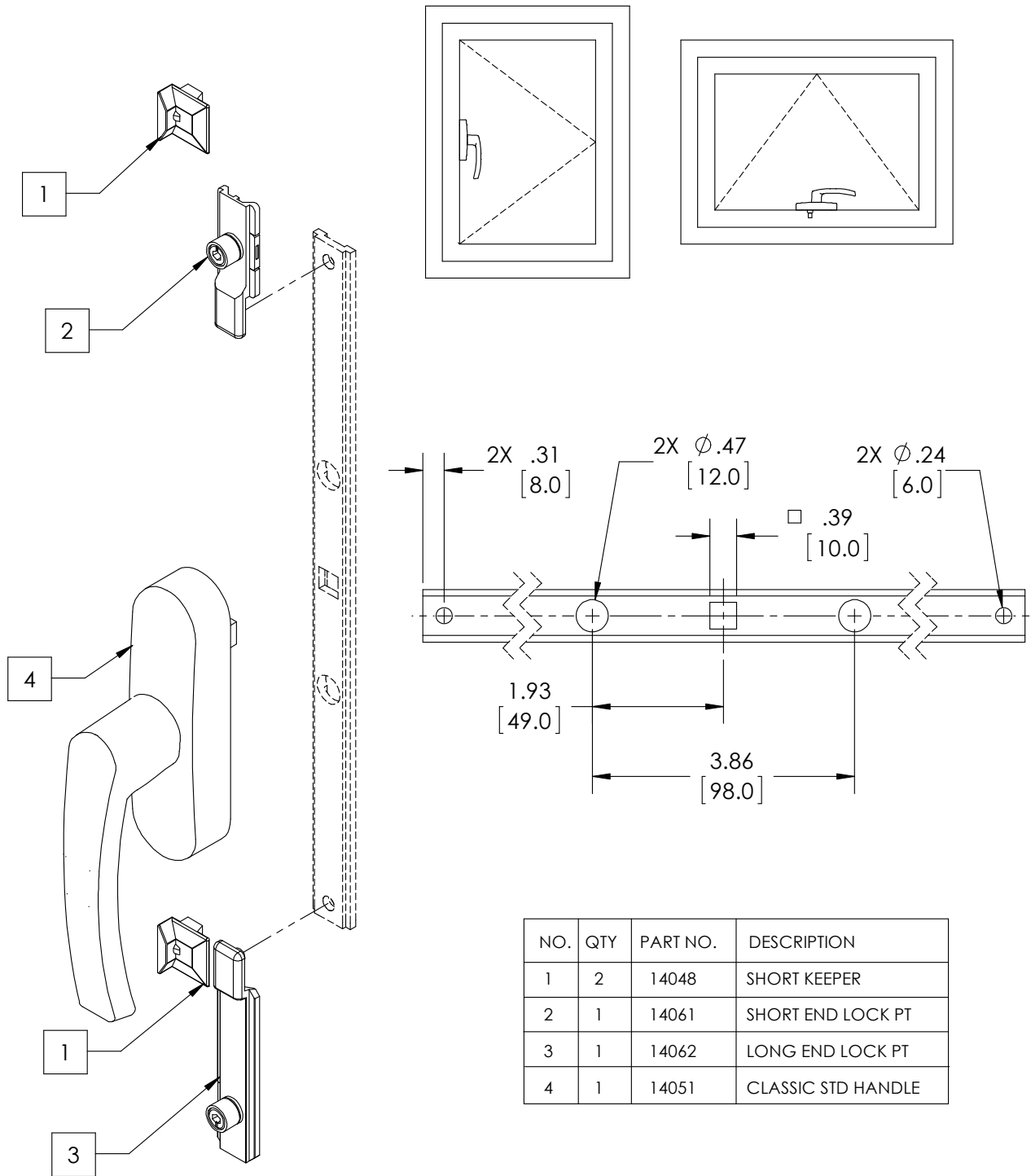
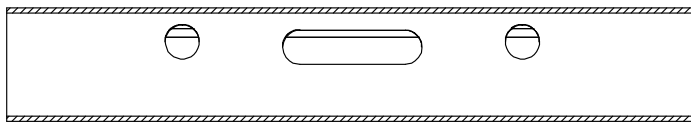
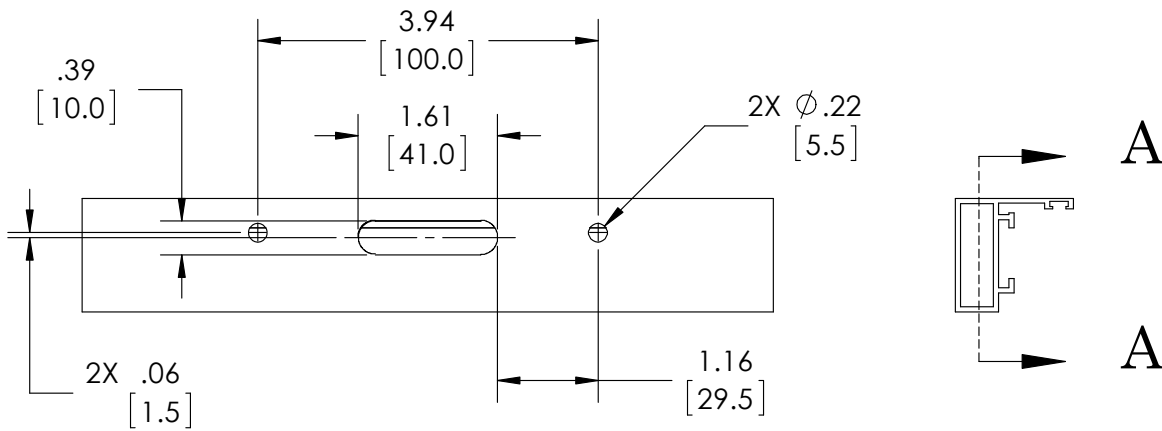
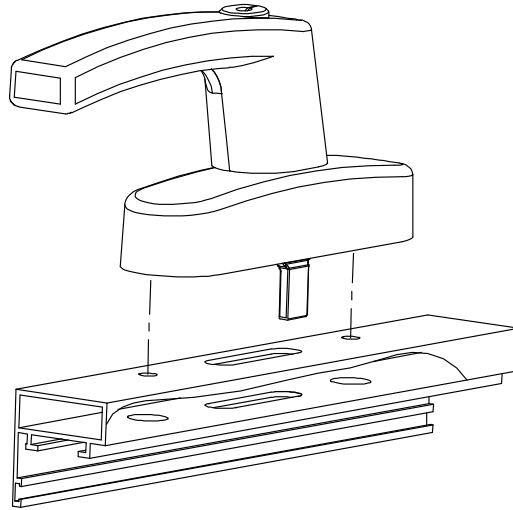


FIG. 7 OUT-SWING MOUNTING CUTOUT



SECTION A-A

ASCENT EURO GROOVE LOCKING SYSTEM

FIG. 8 DRIVE BLOCK 14049

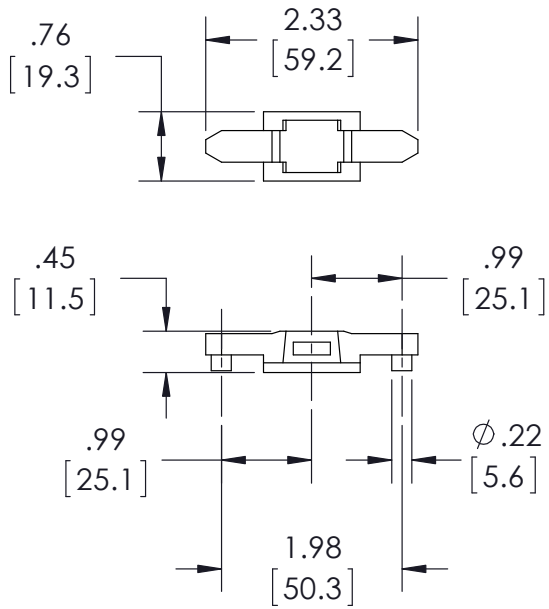


FIG. 9 CENTER LOCK POINT 14050

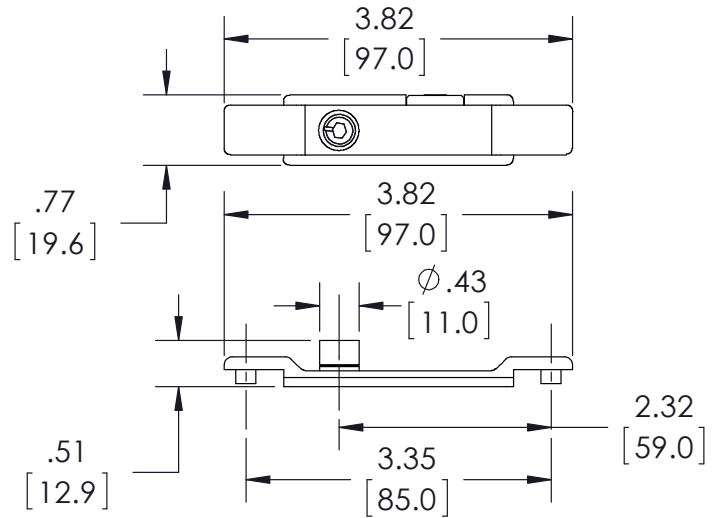


FIG. 10 SHORT END LOCK POINT 14061

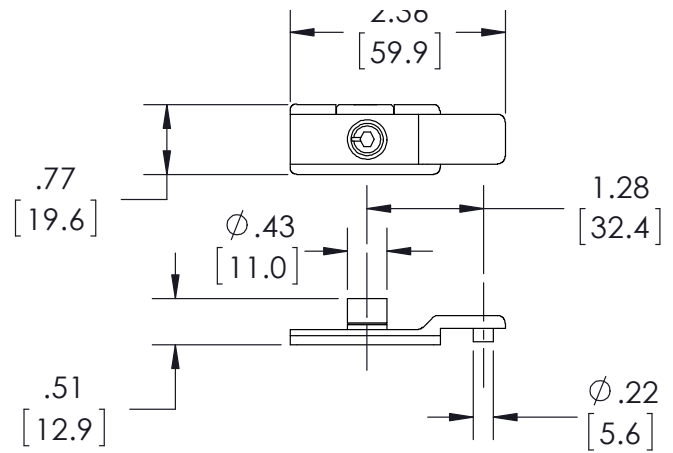


FIG. 11 DUAL-DRIVE BLOCK 14058

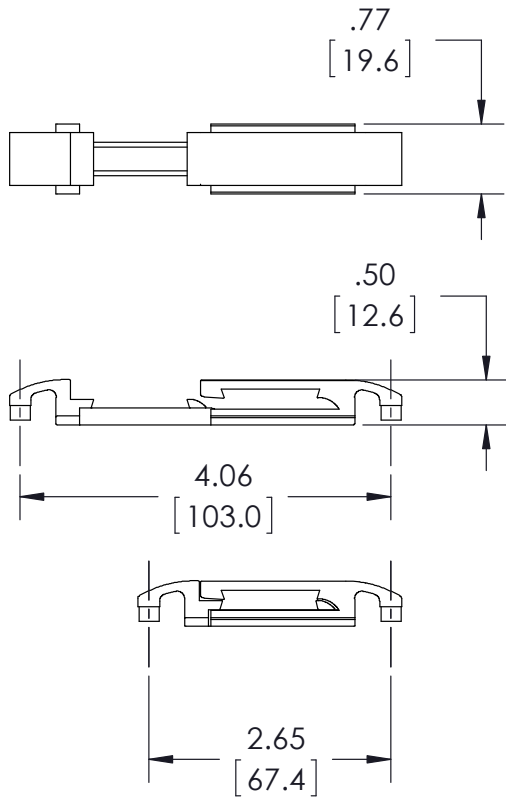


FIG. 12 LONG END LOCK POINT 14062

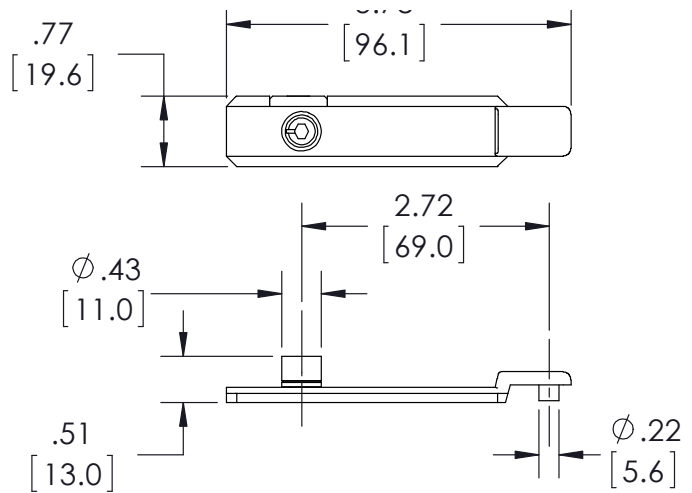


FIG. 13 CURTAIN WALL POINT 14046

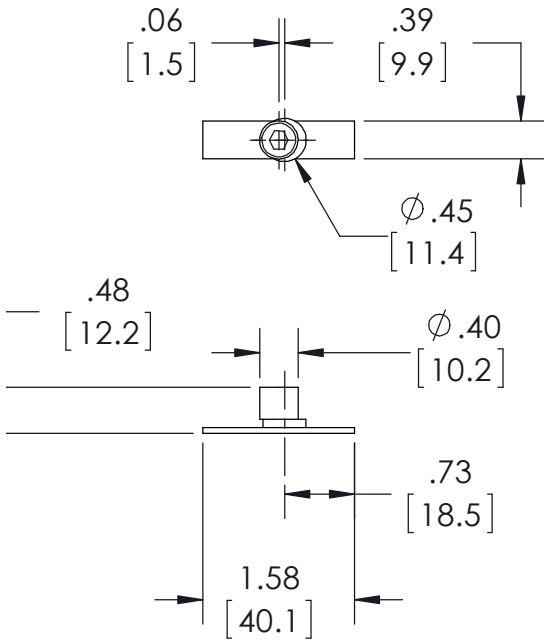


FIG. 14 SHOOT BOLT 14063

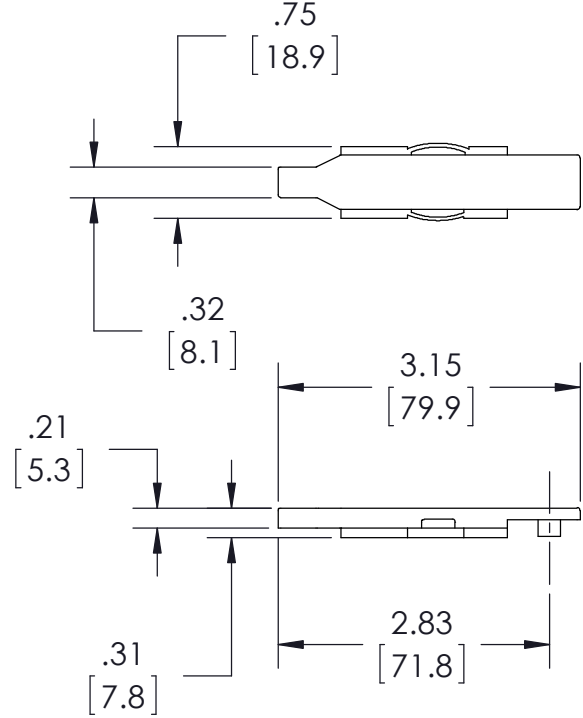
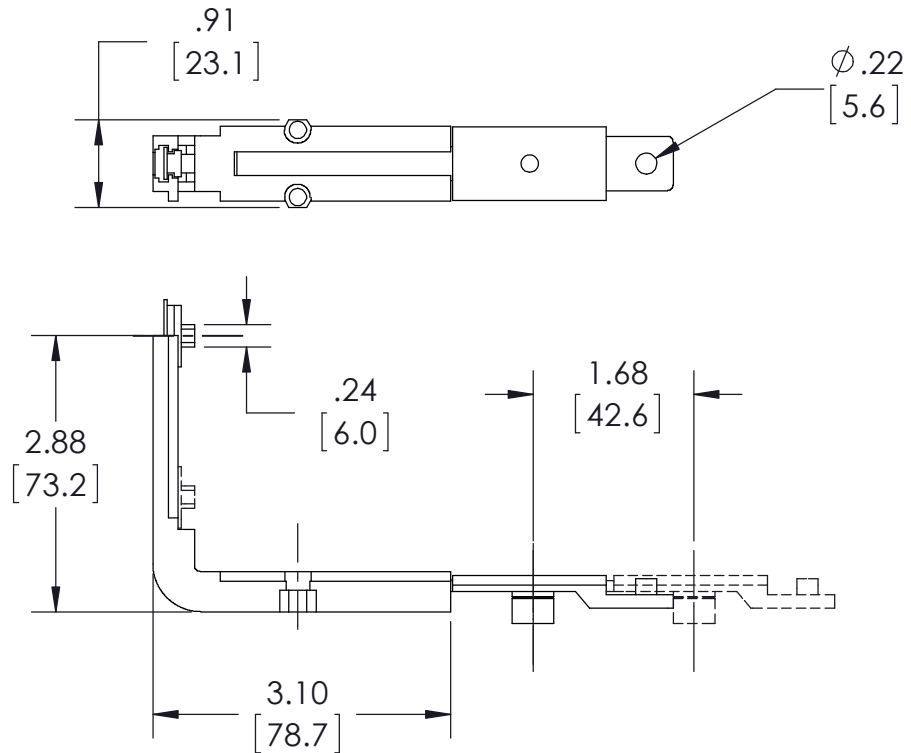


FIG. 15 CORNER DRIVE 14057



ASCENT EURO GROOVE LOCKING SYSTEM

FIG. 16 CLASSIC STANDARD HANDLE 14051

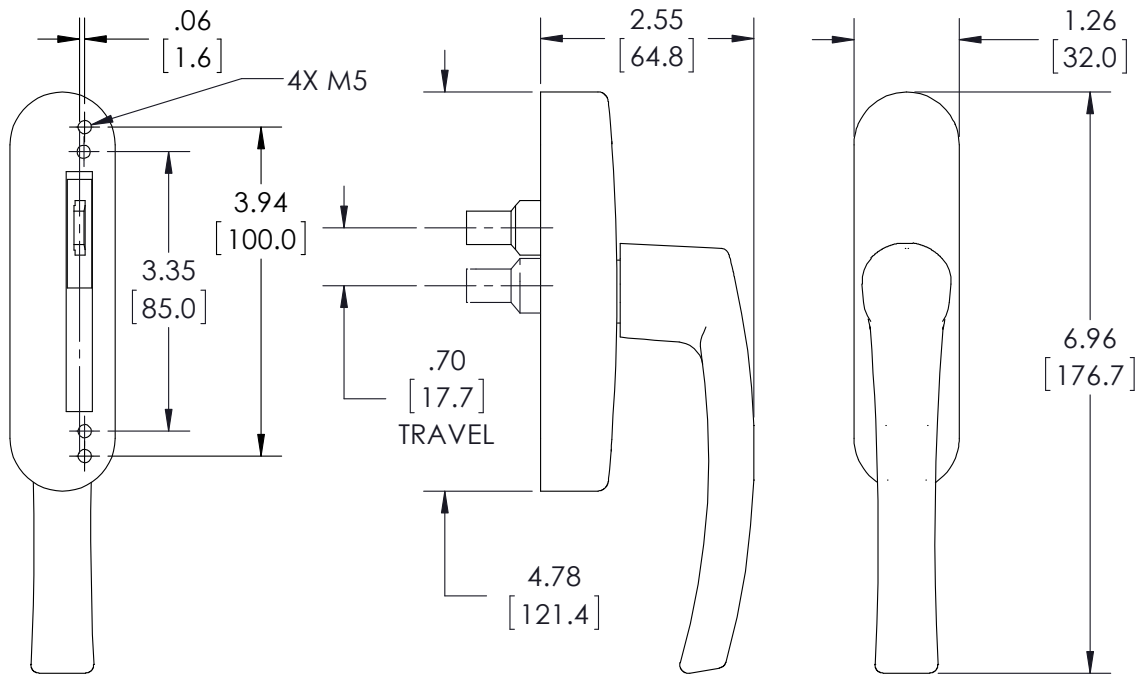


FIG. 17 CLASSIC DUAL HANDLE 14056

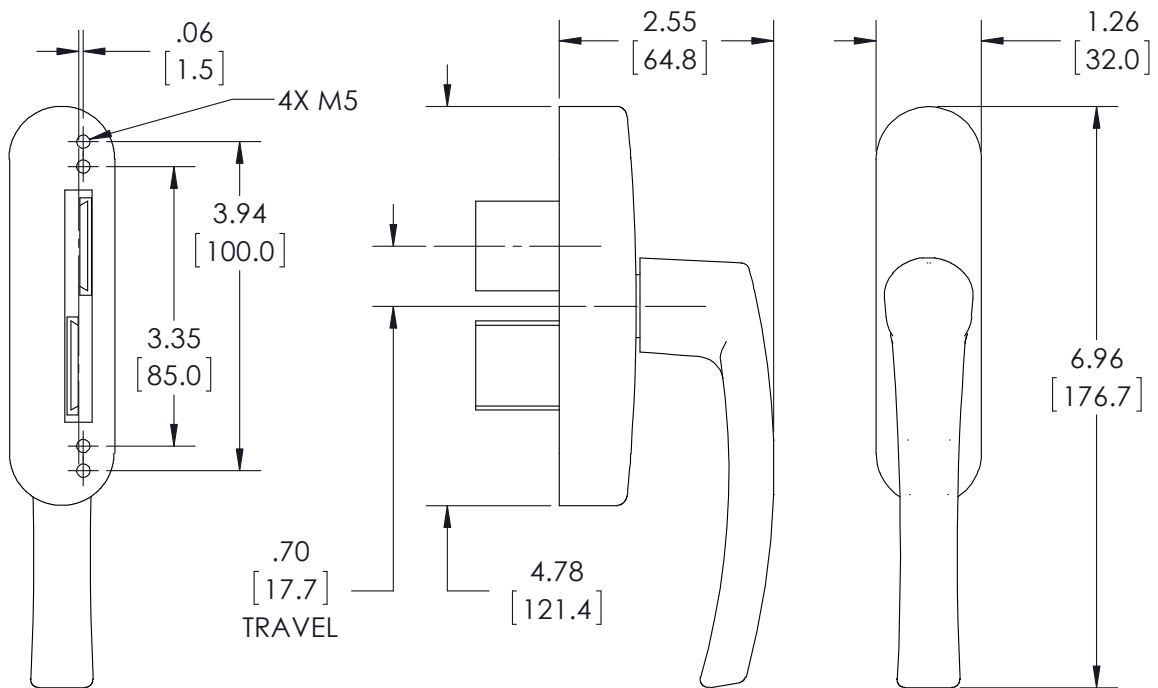


FIG. 18 RADIUS STANDARD HANDLE 14054

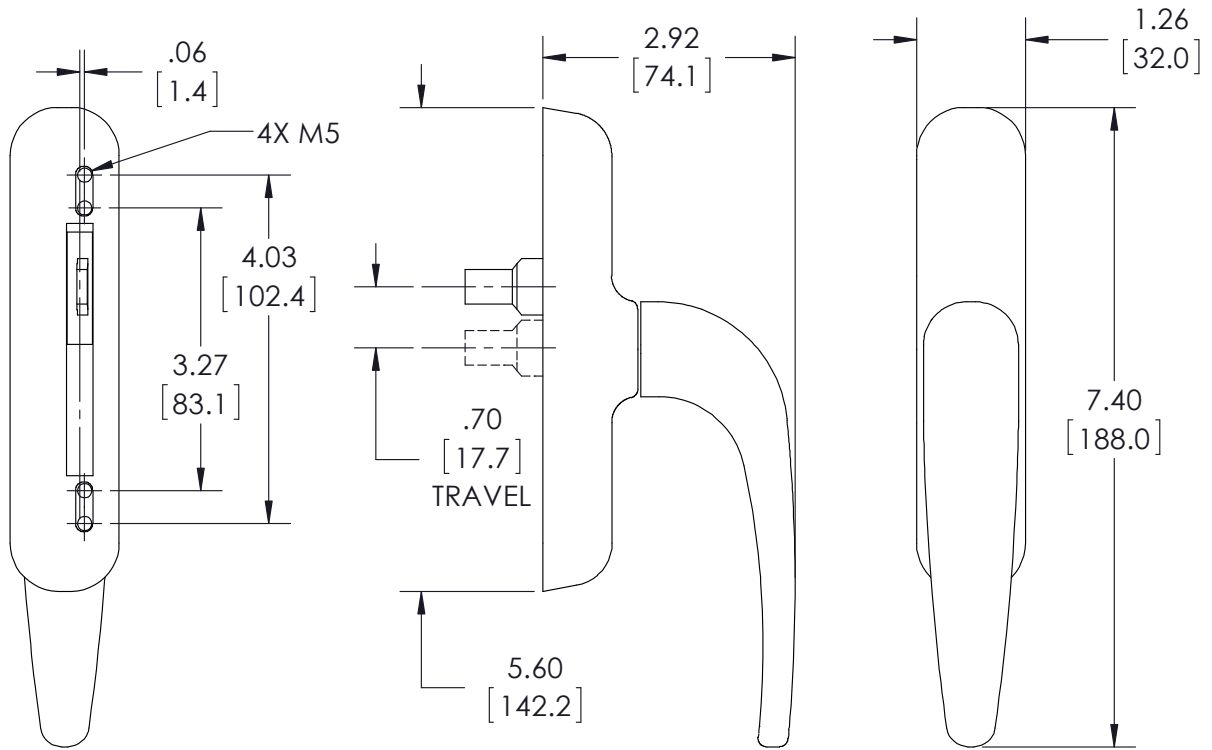
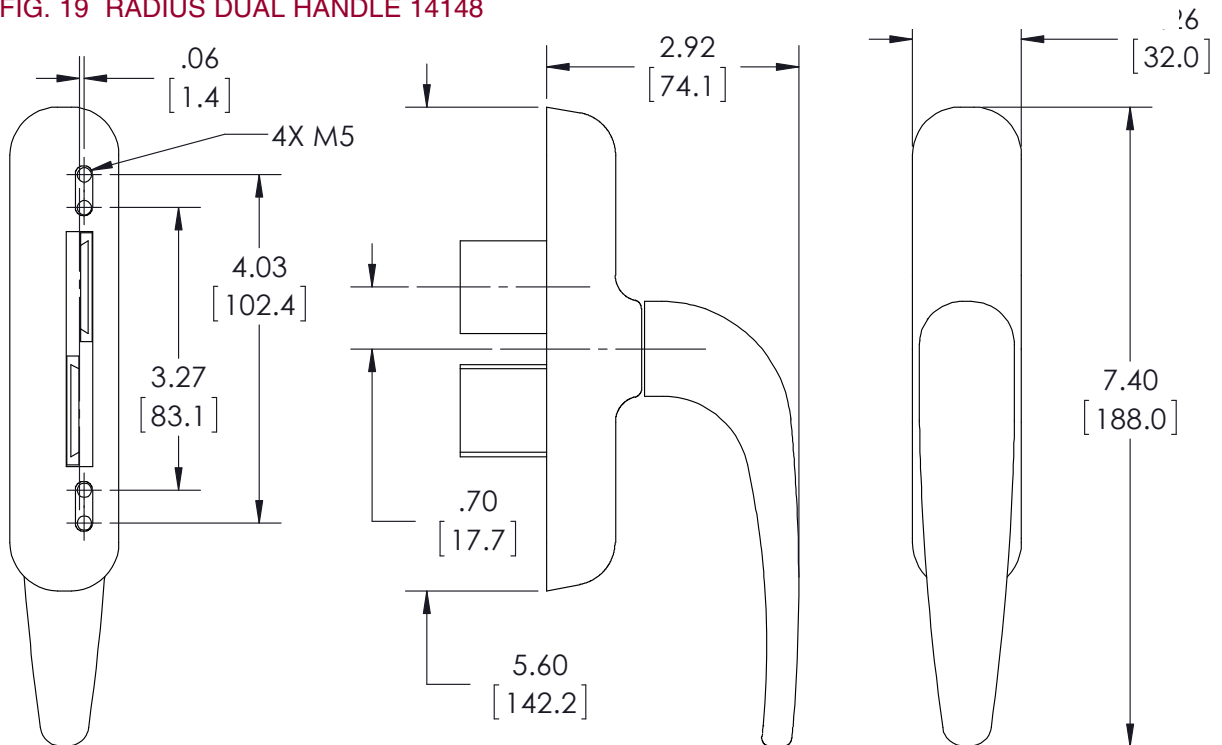


FIG. 19 RADIUS DUAL HANDLE 14148



ASCENT EURO GROOVE LOCKING SYSTEM

FIG. 20 LOCK BOX 14059

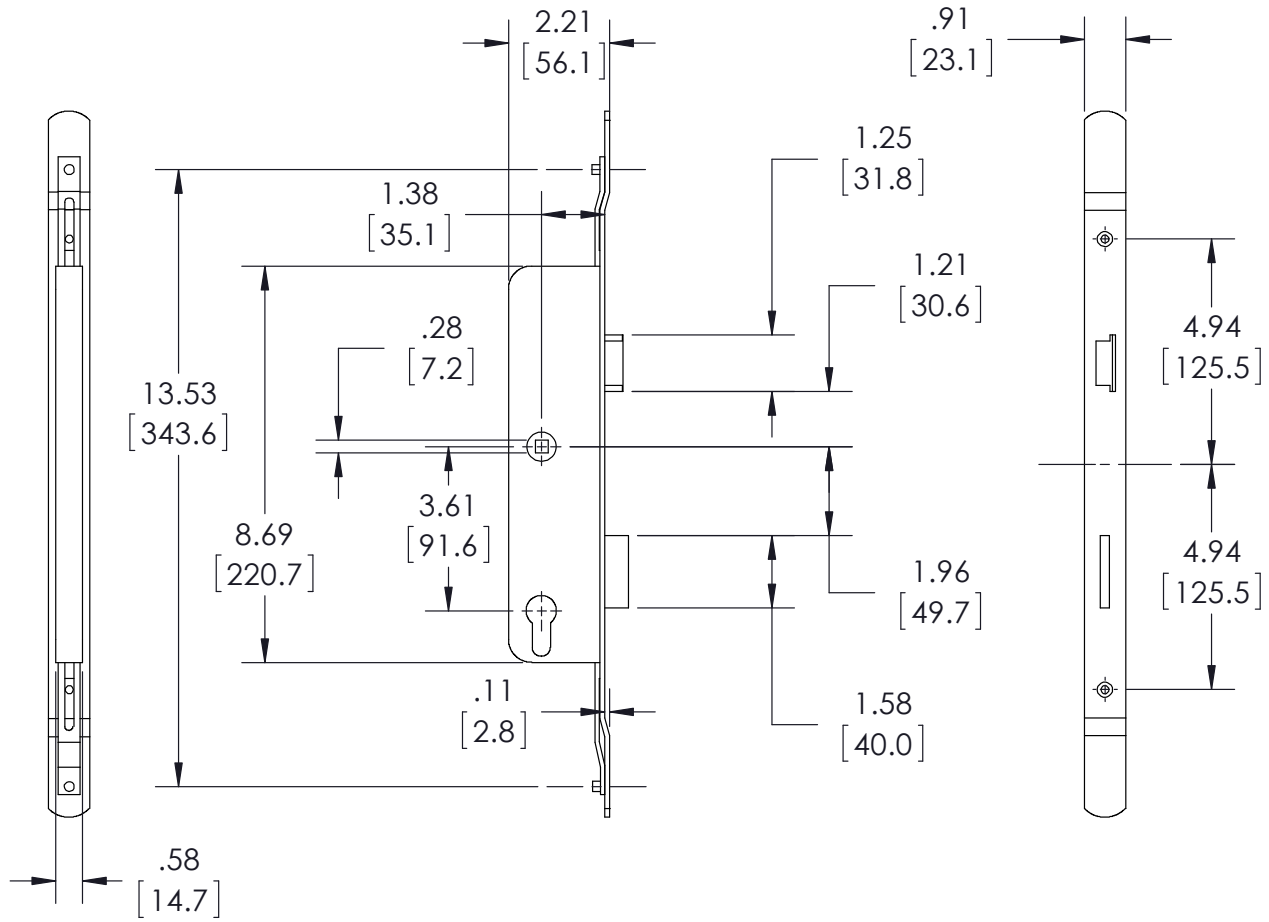


FIG. 21 DOOR STRIKE 14060

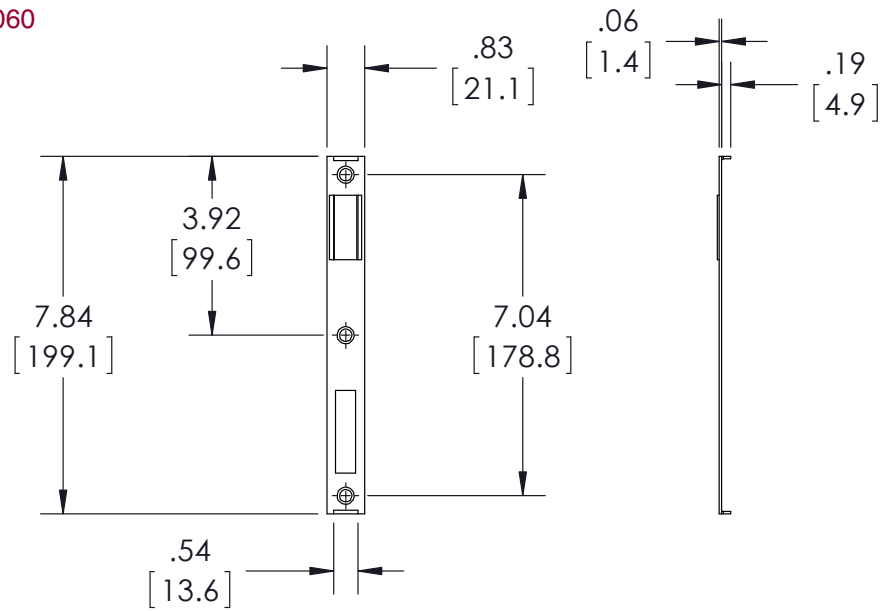
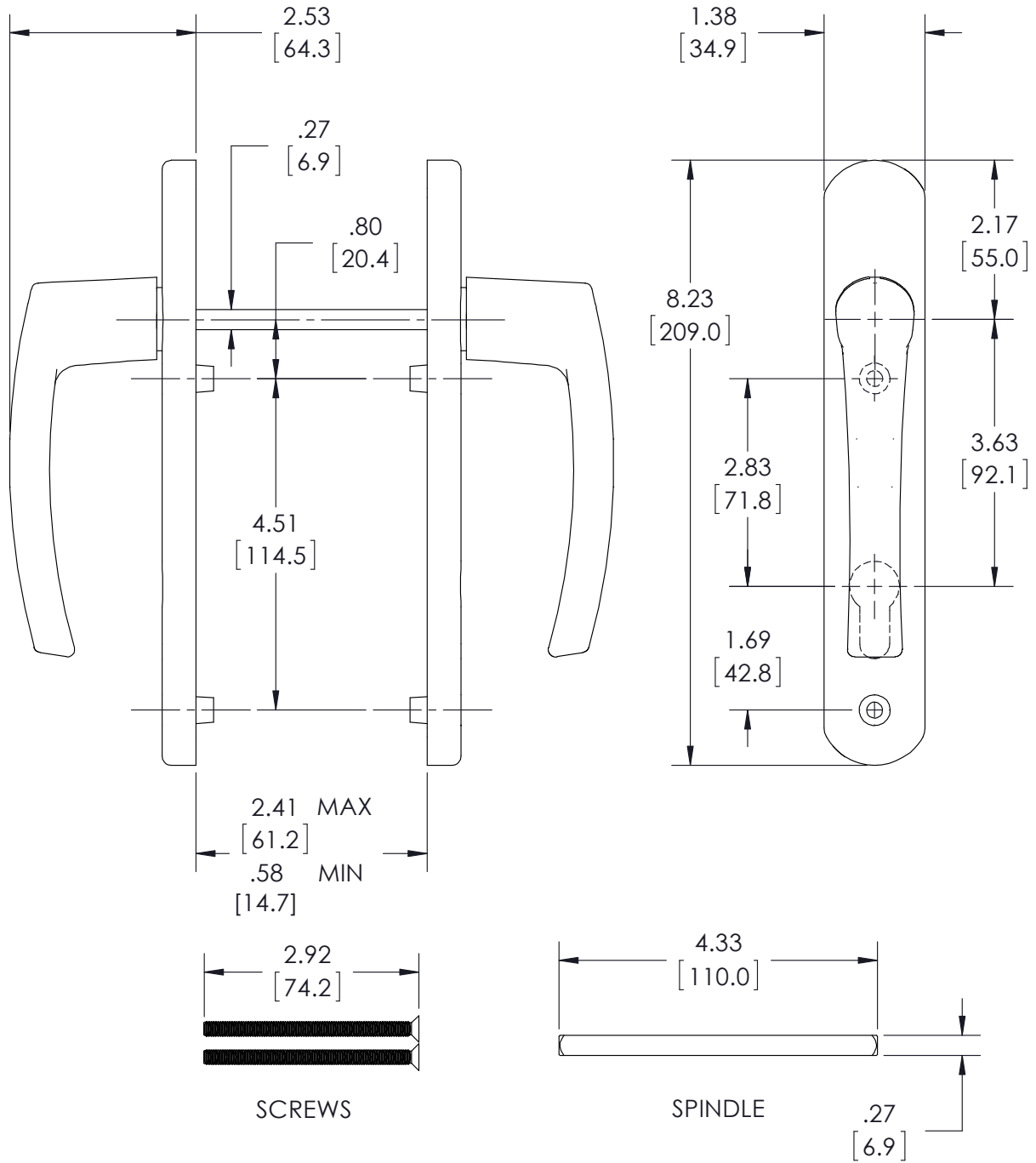


FIG. 22 CLASSIC DOOR HANDLE 14053



ASCENT EURO GROOVE LOCKING SYSTEM

FIG. 23 CLASSIC STANDARD HANDLE W/KEYS 14228

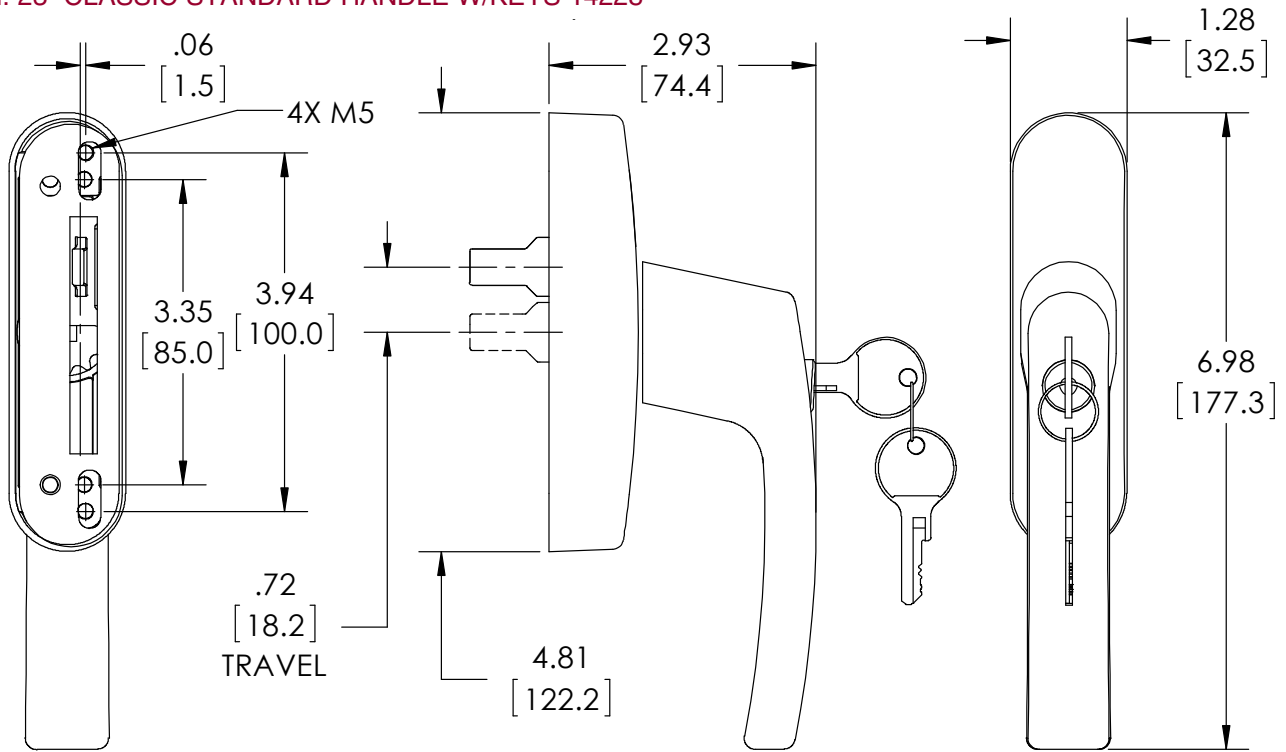


FIG. 24 CLASSIC DUAL HANDLE W/KEYS 14230

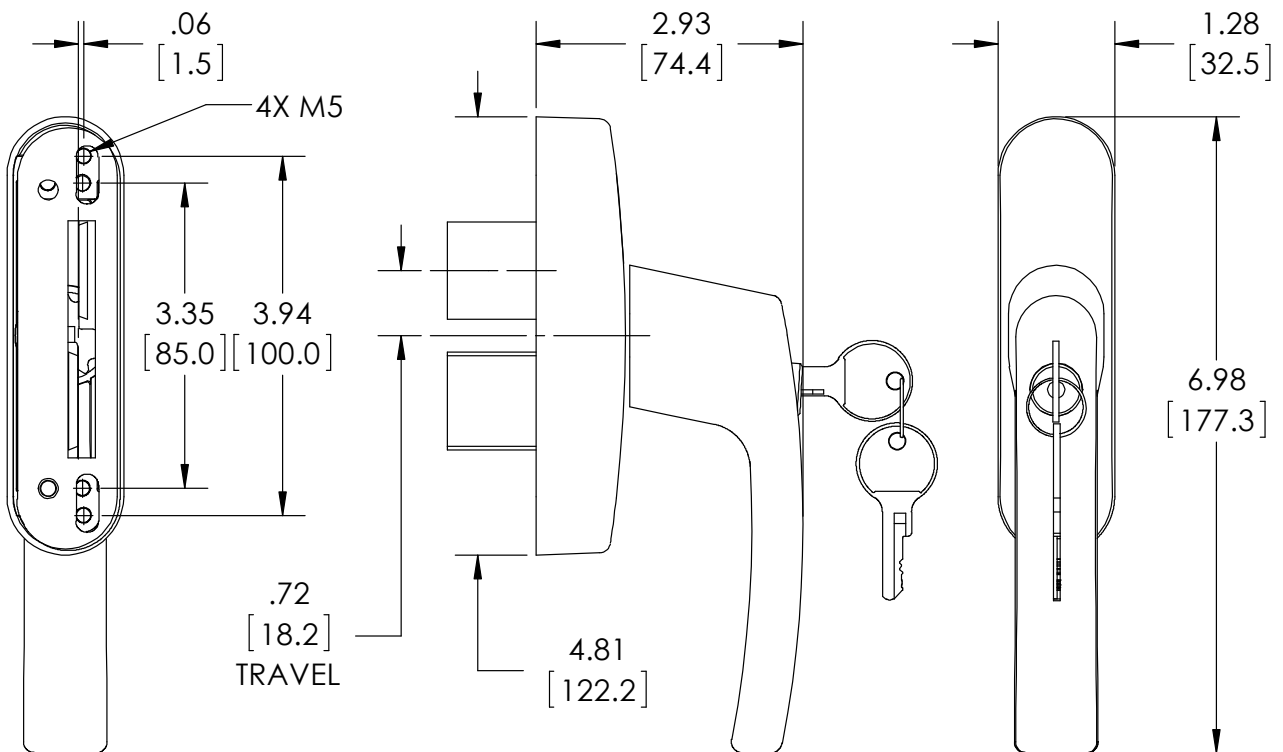


FIG. 25 14232 KEYS ONLY

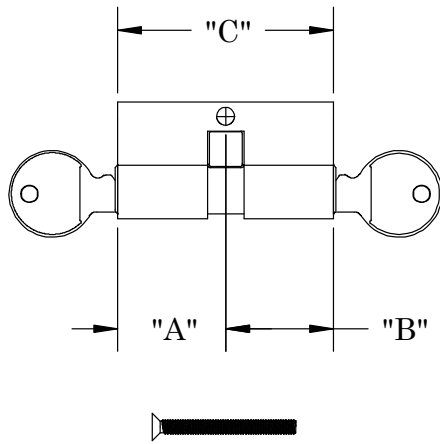
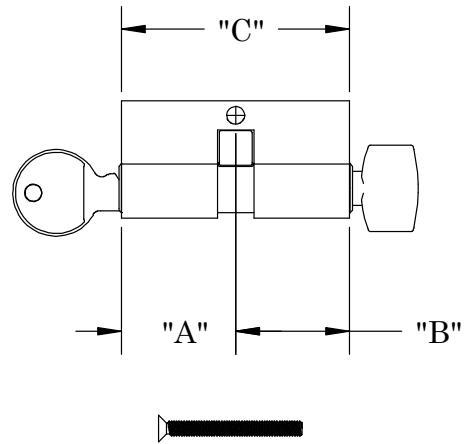


FIG. 26 14231 THUMB TURN AND KEY



| PART NO. | "A" | "B" | "C" |
|----------|-------------|-------------|-------------|
| 14231 | 1.08 [27.5] | 1.08 [27.5] | 2.16 [54.9] |
| 14232 | 1.25 [31.8] | 1.25 [31.8] | 2.50 [63.5] |
| | | | |
| | | | |

ASCENT EURO GROOVE LOCKING SYSTEM

FIG. 27 TALL KEEPER 14047

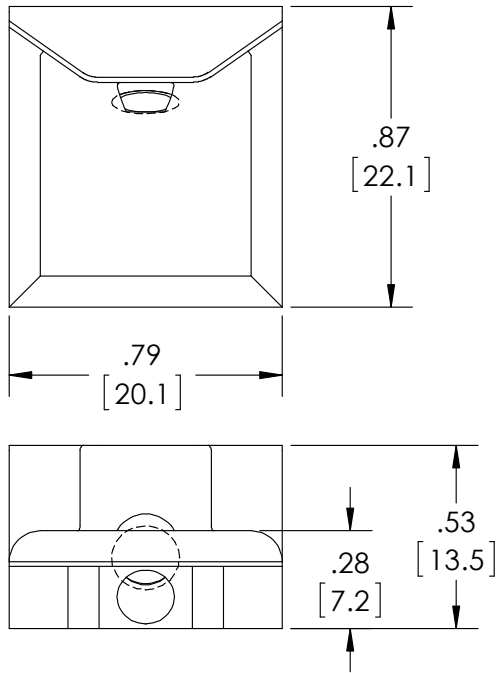


FIG. 28 SHORT KEEPER 14048

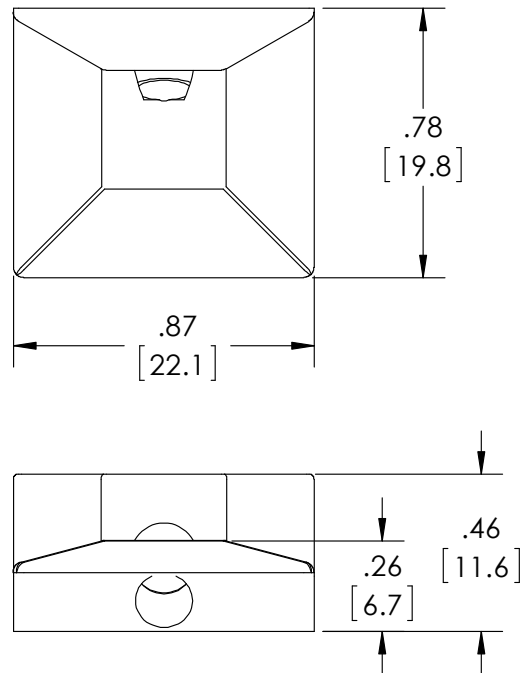


FIG. 29 ADJUSTABLE KEEPER 14064

