

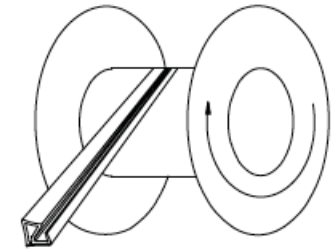
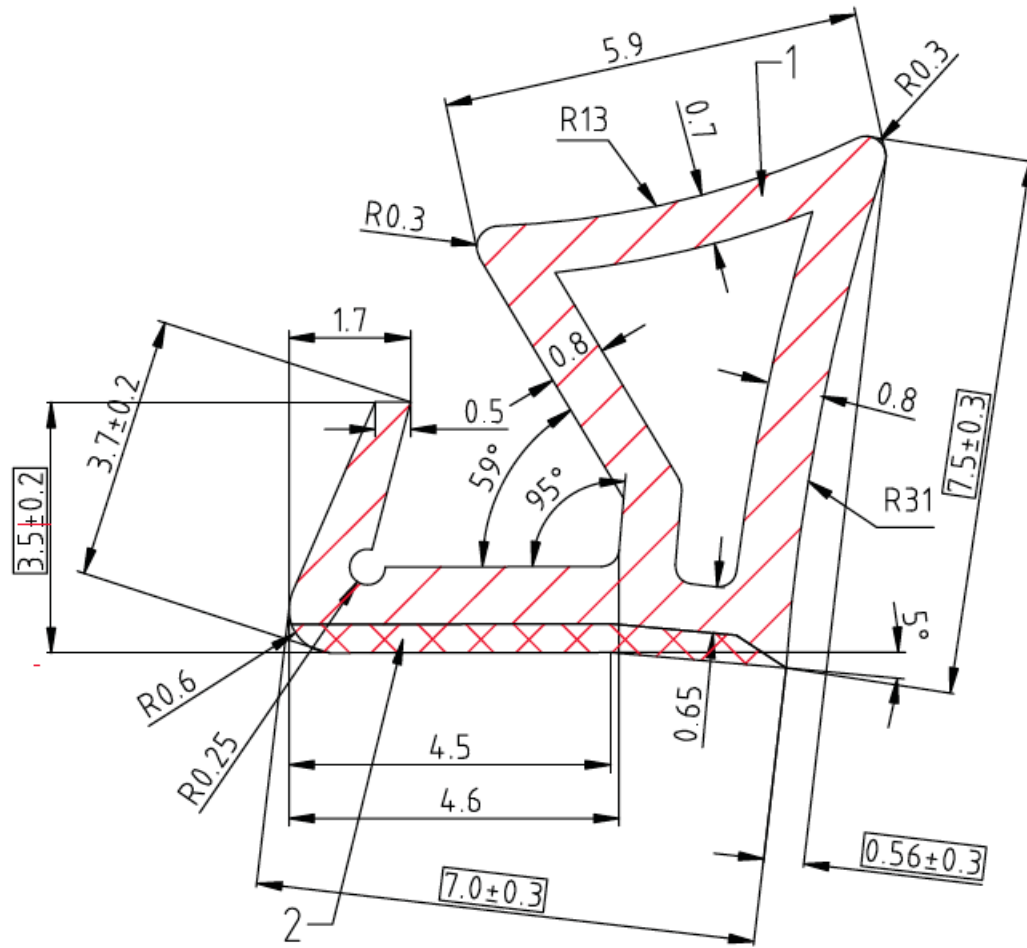


# Extruded Seals

[UPVc TILT AND TURN WINDOWS]

Novaseal, Lozaron

# LOZARON™ 1383

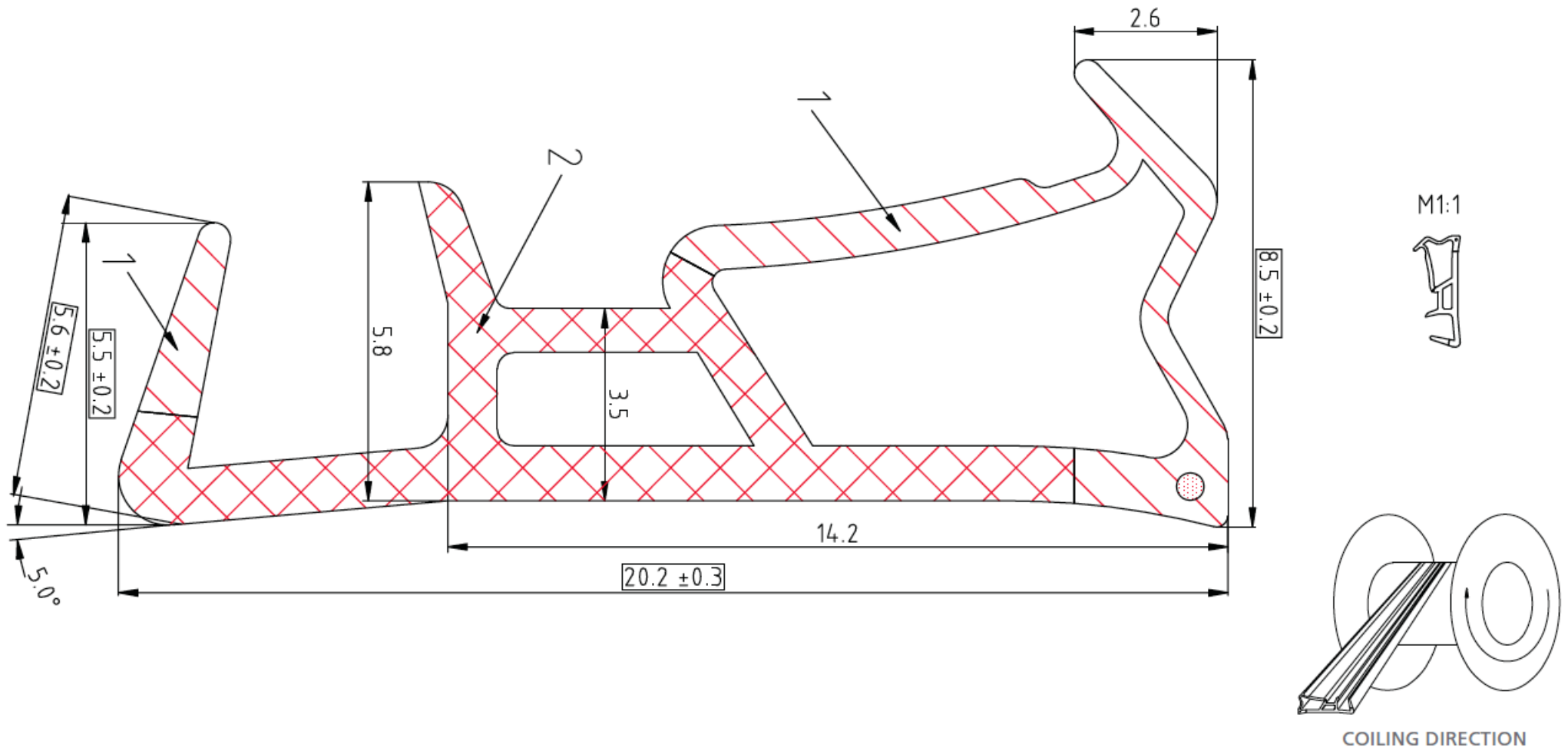


COILING DIRECTION

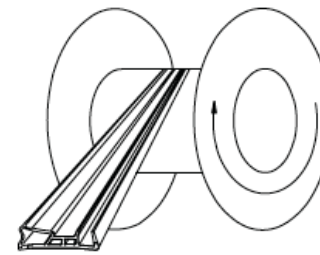
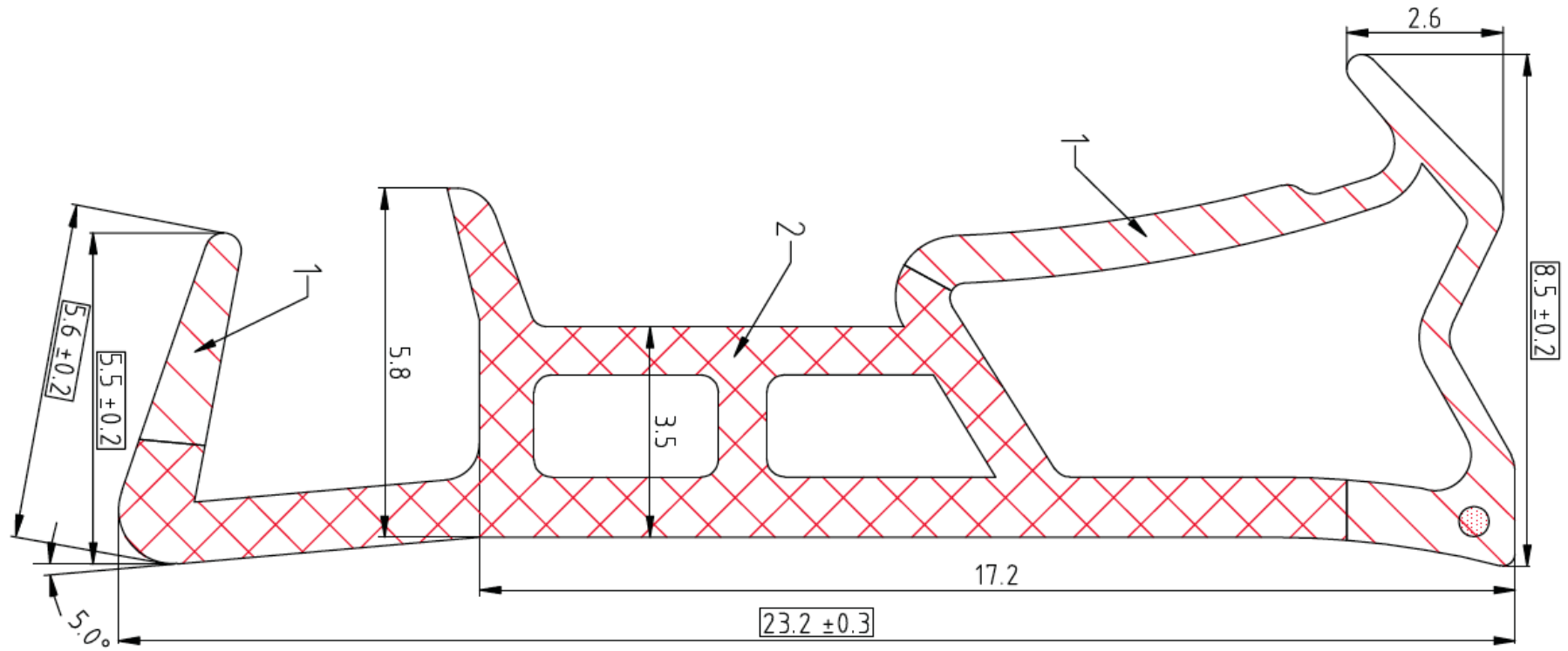
M1:1



# LOZARON™ 1430



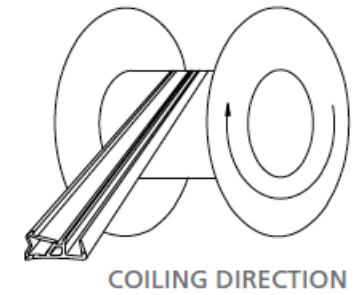
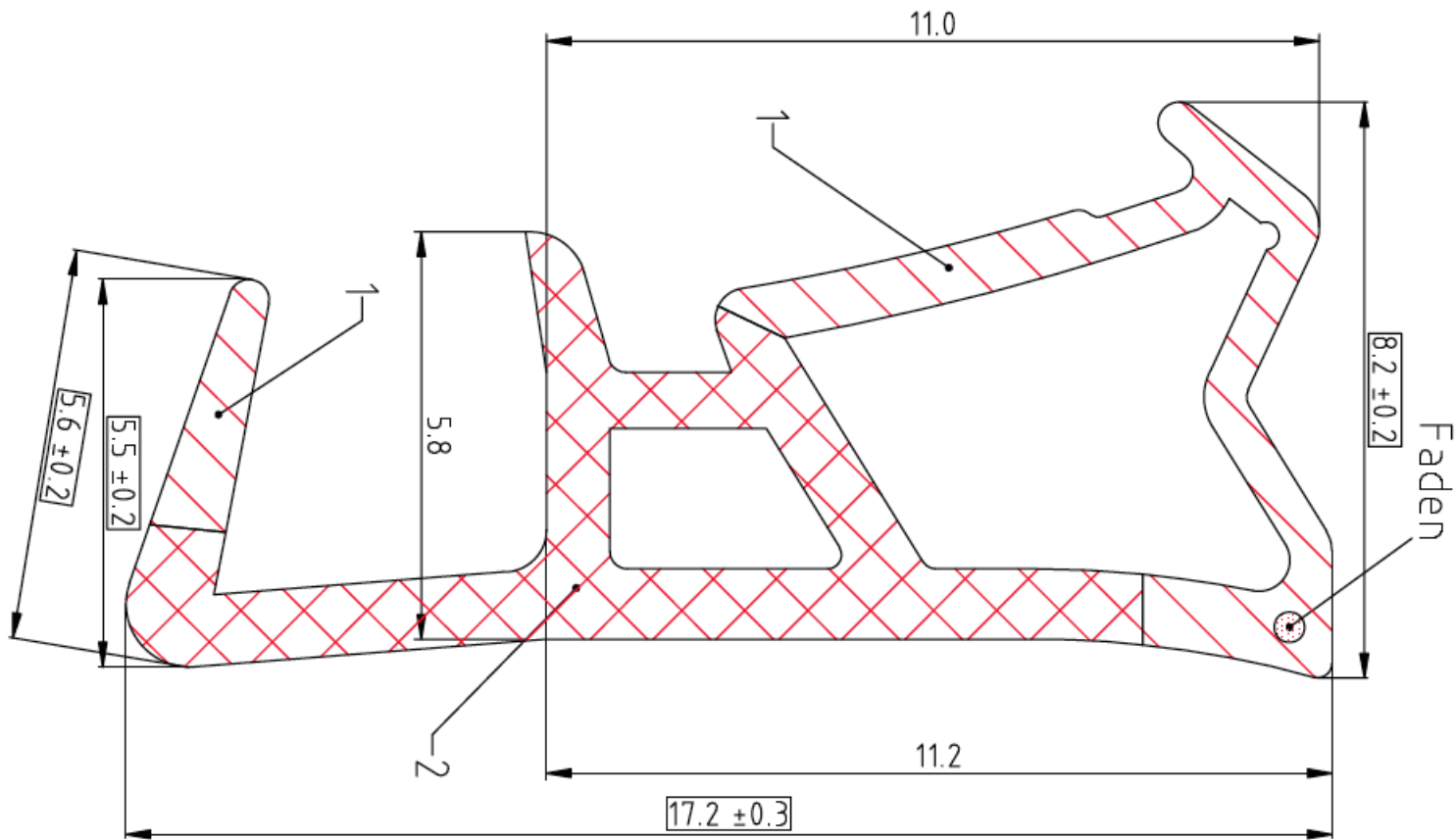
# LOZARON™ 1431



COILING DIRECTION



# LOZARON™ 1432

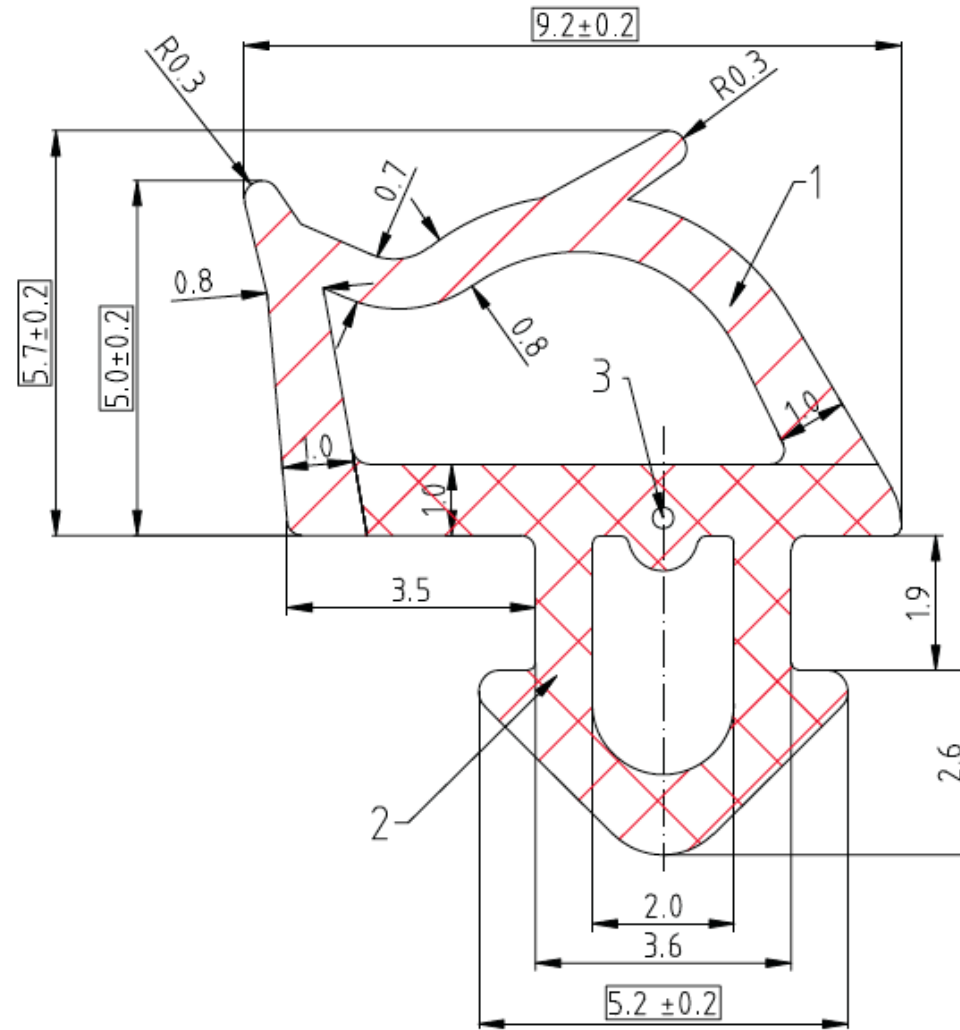


M1:1



Faden

# LOZARON™ 1435

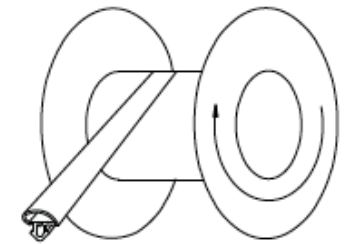
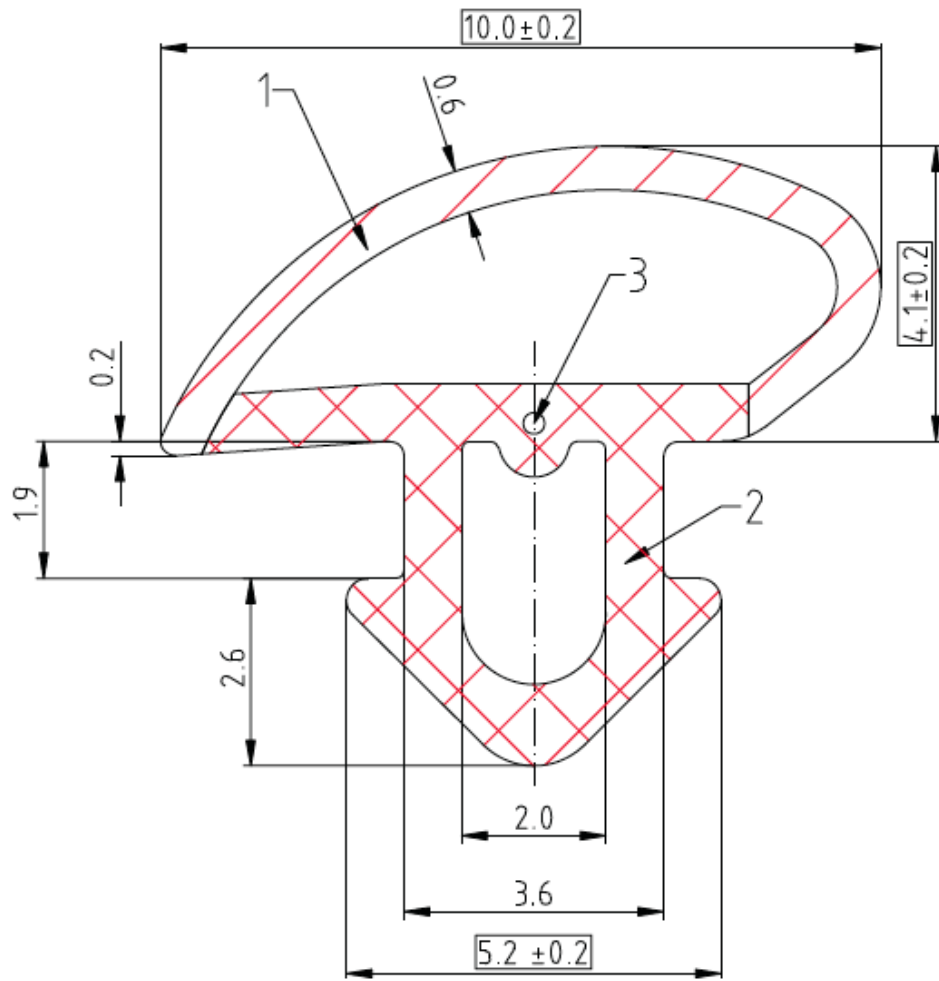


COILING DIRECTION

M1:1



# LOZARON™ 1445

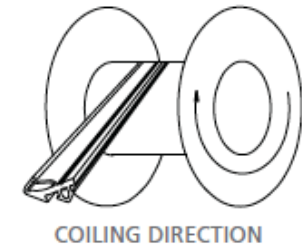
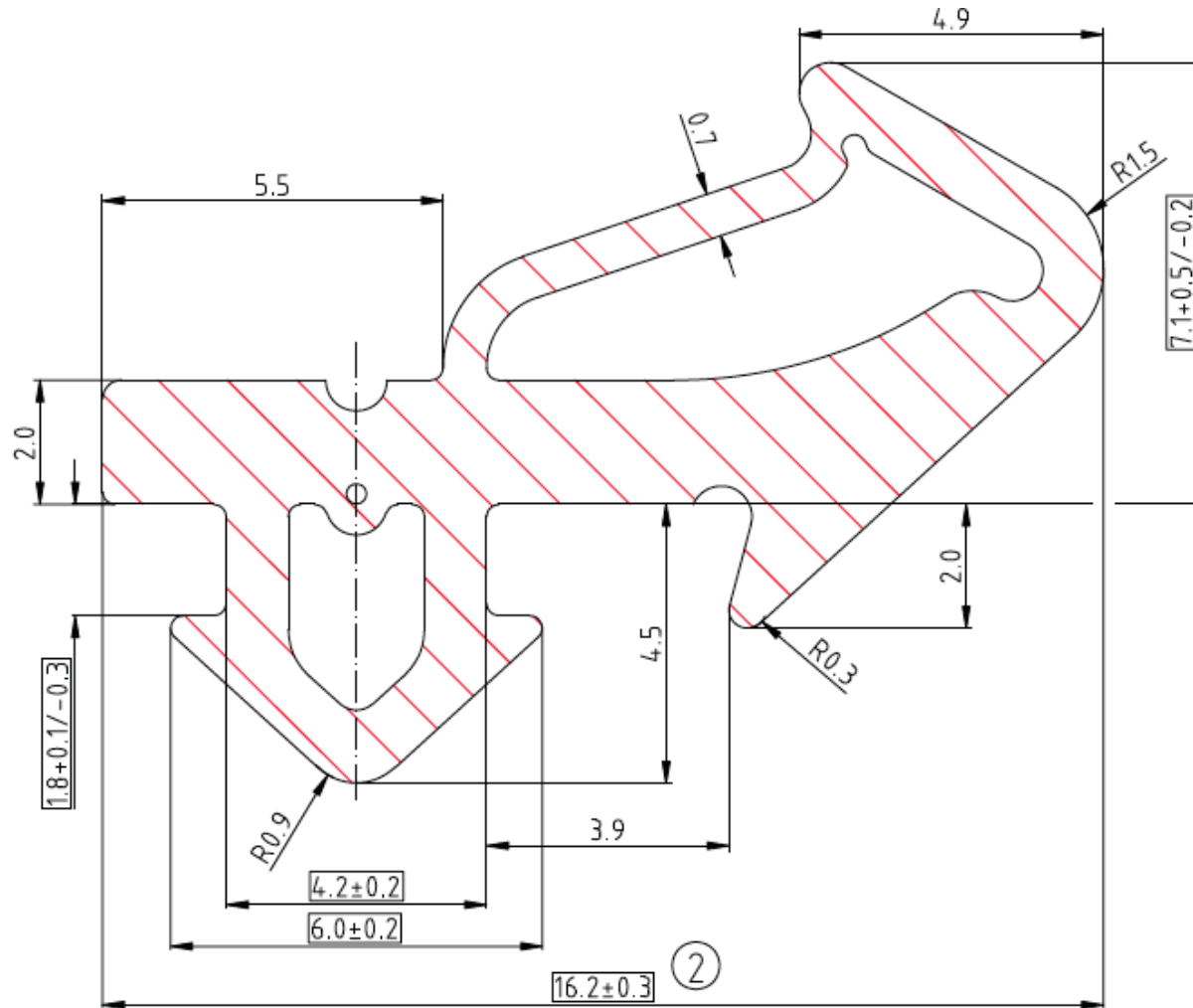


COILING DIRECTION

M1:1

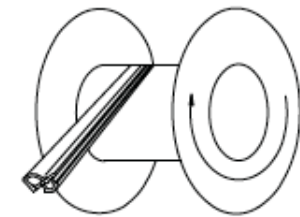
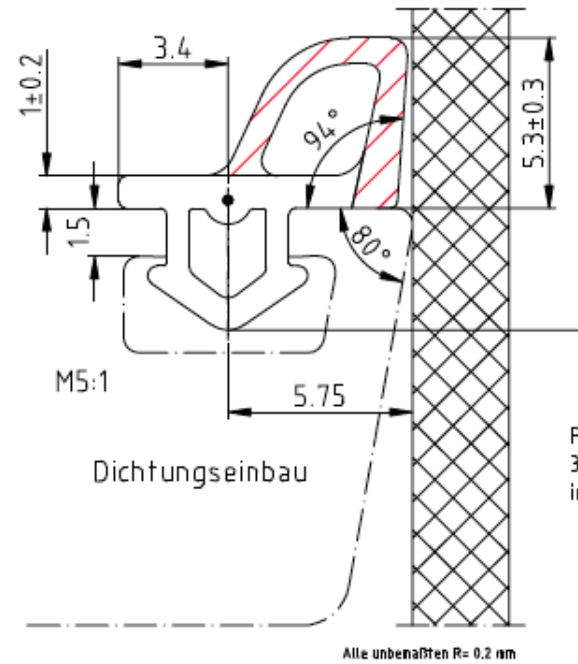
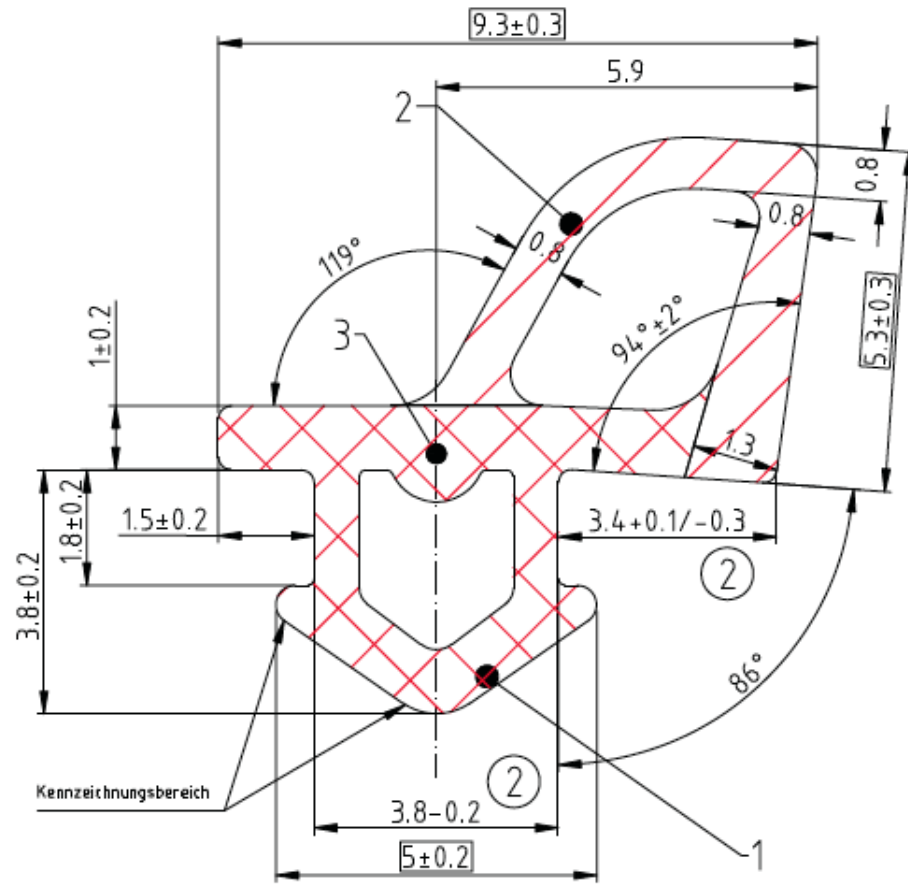


# LOZARON™ 1447





# LOZARON™ 1448



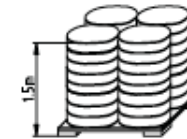
**COILING DIRECTION**

für BLR - FLG  
Trommel  $\approx 250m$

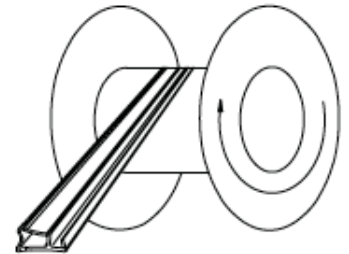
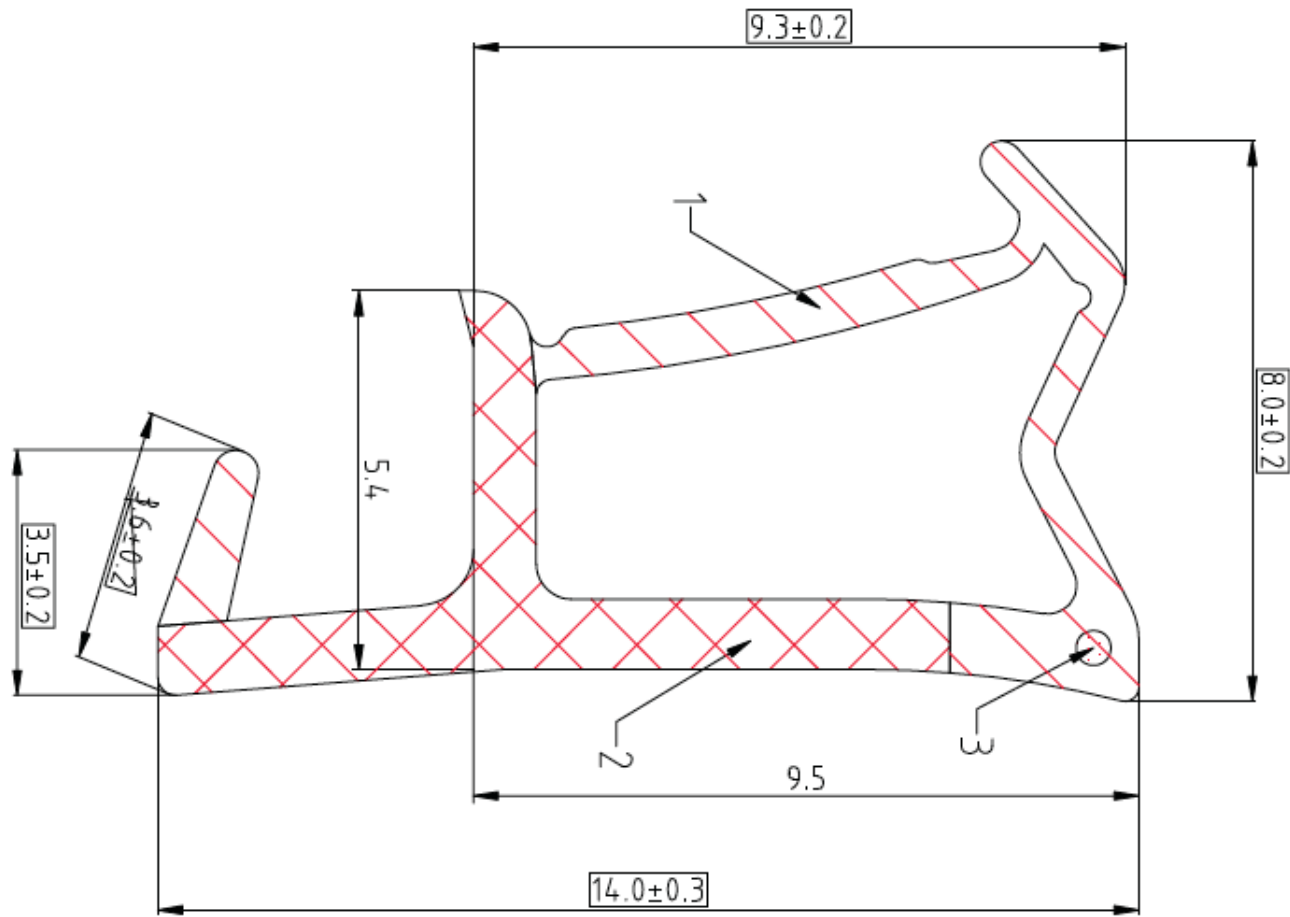
M1:1



Palette: 1200 x 1200  
32 Rollen x 220m = 7040m  
in Folie eingestreckt



# LOZARON™ 1452

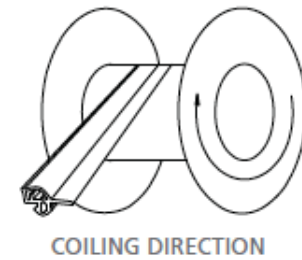
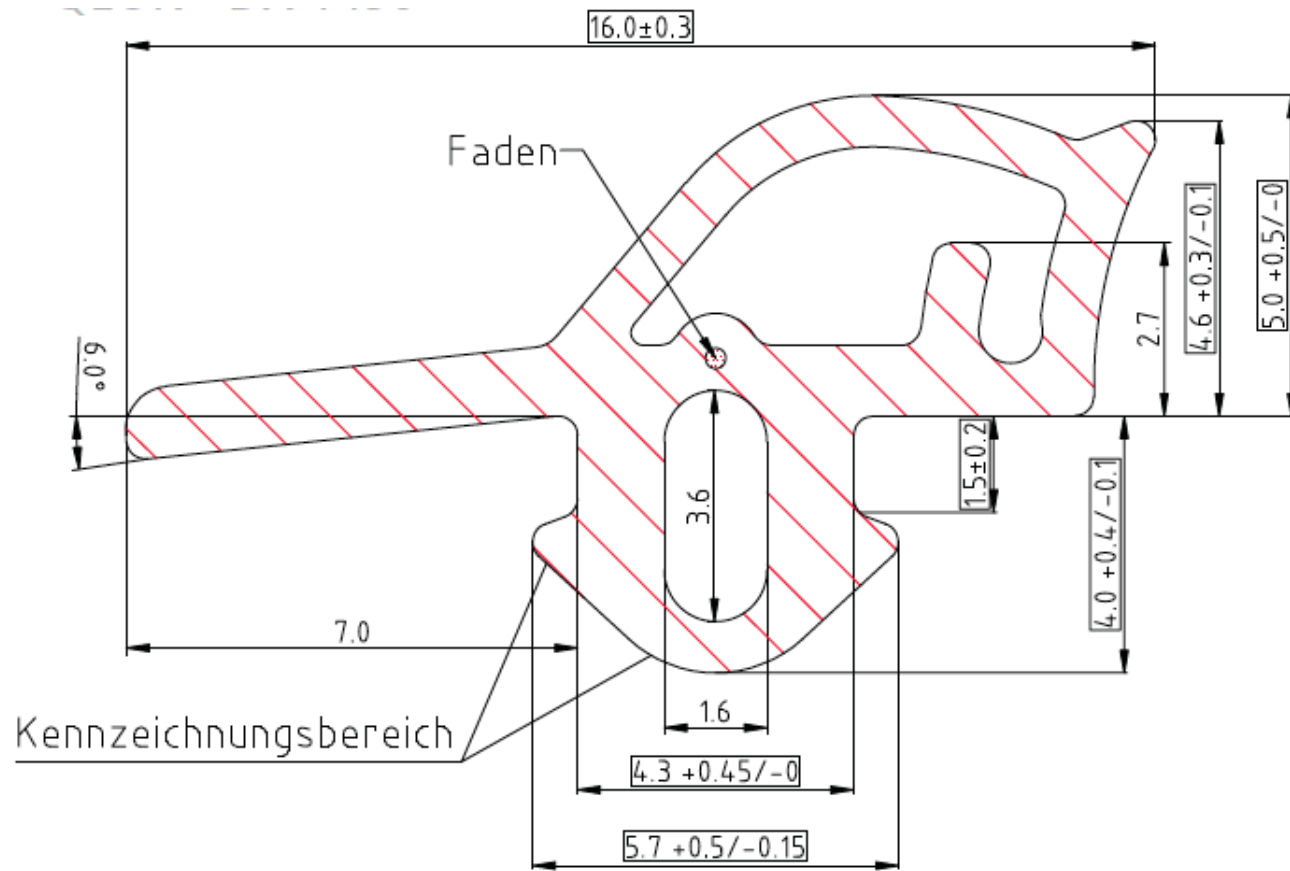


COILING DIRECTION

M1:1



# LOZARON™ 1456



M1:1



# LOZARON™ 1457

