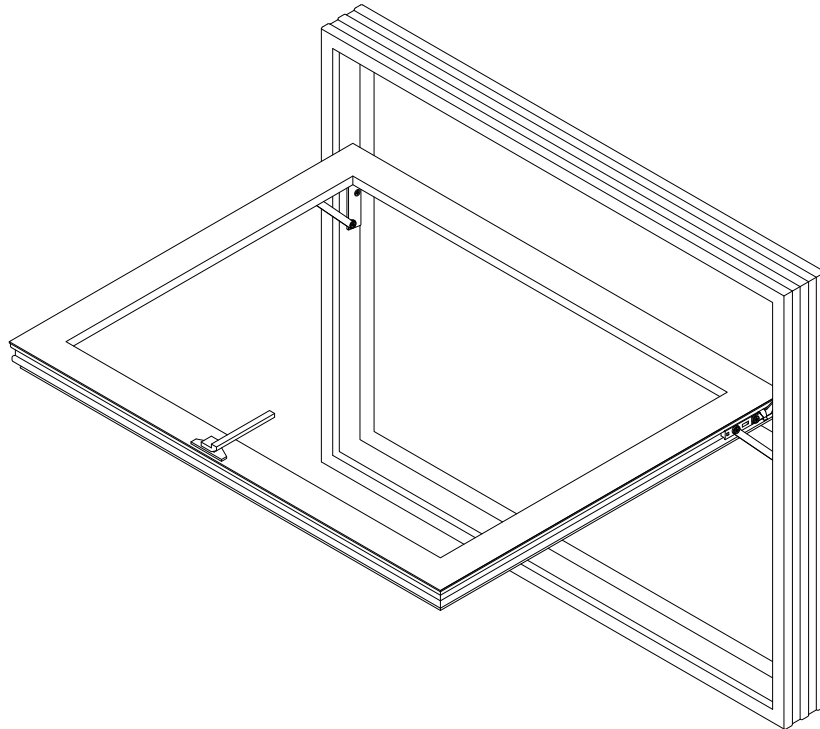


**What's in This Section**

<b>Standard Windows</b> .....	<b>Page 3</b>
<b>Parts Illustration</b> .....	<b>3</b>
<b>Unit Sizes</b> .....	<b>4</b>
<b>Sash</b> .....	<b>5</b>
Sash Size Table .....	5
Sash and Frame Assembly .....	5
Sash .....	5
<b>Insect Screens</b> .....	<b>6</b>
Insect Screens .....	6
<b>Hardware</b> .....	<b>7</b>
Hinges .....	7
Hardware .....	7
<b>Frames</b> .....	<b>9</b>
Frames .....	9
Weatherstrip .....	10
Snubber .....	10
<b>Miscellaneous Parts</b> .....	<b>11</b>
Steel Form .....	11
 <b>Service Replacement</b> .....	 <b>Page 13</b>
<b>Service Replacement Only Part</b> .....	<b>13</b>
Cartons .....	13



Parts Illustration

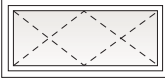
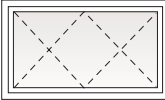
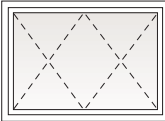


**Basement and Utility Window Unit Parts**

*Unit viewed from interior.*

Unit Sizes

Unit Size Chart

Unit Dimension	2'-7 5/8"	(803)	
<b>Rough Opening</b>	2'-8 1/4"	(819)	
Unobstructed Glass	26 5/8"	(676)	
1'-3 1/4"	(387)	1'-3 3/4"	(400)
		10 1/4"	(260)
			
			<b>2813</b>
1'-7 1/4"	(489)	1'-7 3/4"	(502)
		14 1/4"	(362)
			
			<b>2817</b>
1'-11 1/4"	(591)	1'-11 3/4"	(603)
		18 1/4"	(464)
			
			<b>2820</b>

Basement and Utility Window Unit Sizes

*Unit viewed from exterior.*

Sash

**Sash Size Table**

**Sash Size Table**

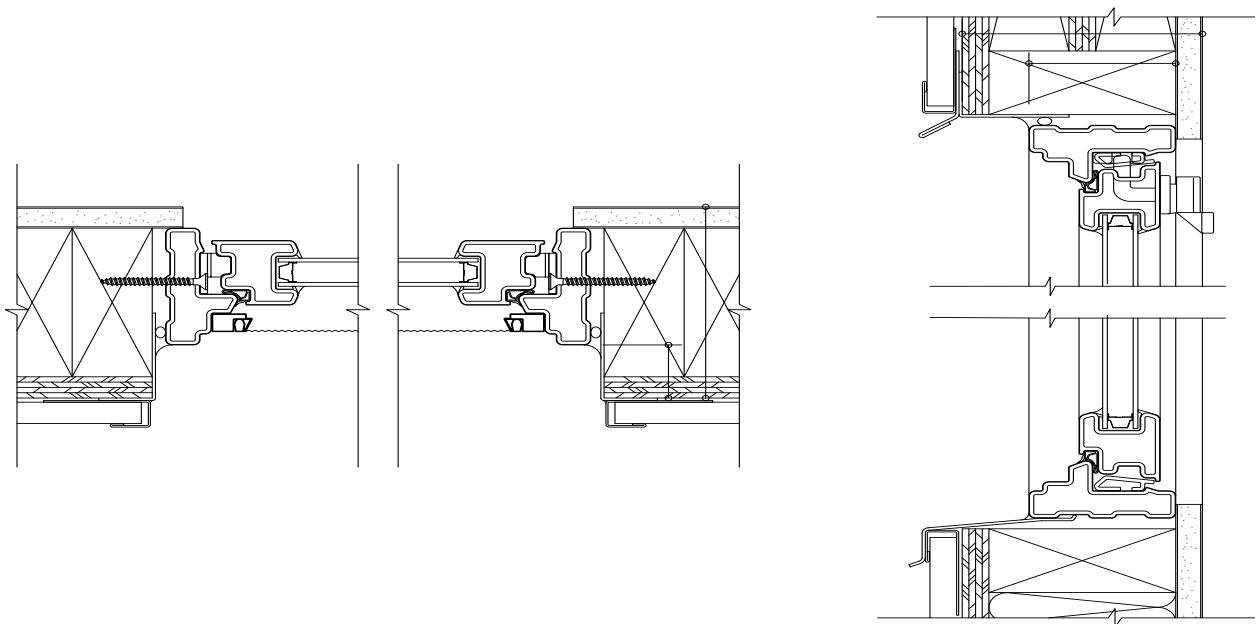
**Note:**

Overall Sash is measured outside edge to outside edge of frame.

Unobstructed Glass is dimension from outside edge to outside edge of visible glass only.

Unit No.	Overall Sash (w x h)	Unobstructed Glass (w x h)	Actual Glass (w x h)
BSMT2813	31 5/8 x 15 1/4	26 5/8 x 10 1/4	27 3/8" x 11"
BSMT2817	31 5/8 x 19 1/4	26 5/8 x 14 1/4	27 3/8" x 15"
BSMT2820	31 5/8 x 23 1/4	26 5/8 x 18 1/4	27 3/8" x 19"

**Sash and Frame Assembly**



**Basement and Utility Window Sash and Frame Assembly**

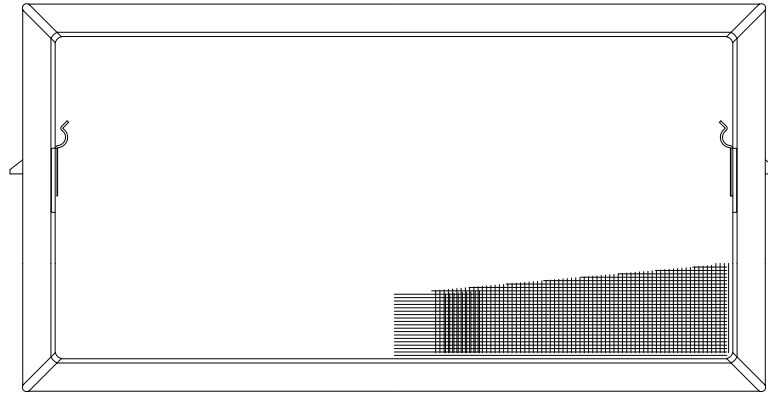
**Sash**

**Sash - Low E**

	<b>Note:</b> Hardware is not included.	<b>Unit No</b>	<b>White</b>	<b>Sandtone</b>
		BSMT2813	0271004	0271204
		BSMT2817	0271005	0271205
		BSMT2820	0271006	0271206

## Insect Screens

### Insect Screens



#### Insect Screen

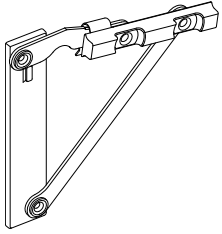
Unit No.	Dimensions (w x h)	White	Sandtone
<b>BSMT2813</b>	29 <sup>13</sup> / <sub>16</sub> " x 13 <sup>7</sup> / <sub>16</sub> "	0271001	0271201
<b>BSMT2817</b>	29 <sup>13</sup> / <sub>16</sub> " x 17 <sup>7</sup> / <sub>16</sub> "	0271002	0271202
<b>BSMT2820</b>	29 <sup>13</sup> / <sub>16</sub> " x 21 <sup>7</sup> / <sub>16</sub> "	0271003	0271203

# Fibrex™ Basement & Utility Windows (2004 to 2009)

Standard Windows

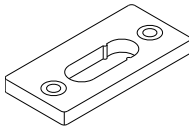
## Hardware

<b>Hinges</b>			
<b>Hinge - New Style</b>			
		Left	Right
		0271431	0271432

<b>Hinge with Screws - Old Style</b>	
	<p><b>Note:</b> Old style hinges are not available. Replace with new style hinge, above. Follow instruction guide to convert frame to receive new style.</p>

<b>Screw - Hinge / Sash</b>		
		Order No.
		0271433
<b>Screw - Hinge / Frame</b>		
		Order No.
		0271434
<b>Screw - Hinge / Adjustment Shoe</b>		
		Order No.
		0271435

<b>Hardware</b>			
<b>Handle with Screws</b>			
		Finish	Order No.
		White	0271039
		Sandtone	0271237

<b>Keeper with Screws</b>		
		Gray
		0271040

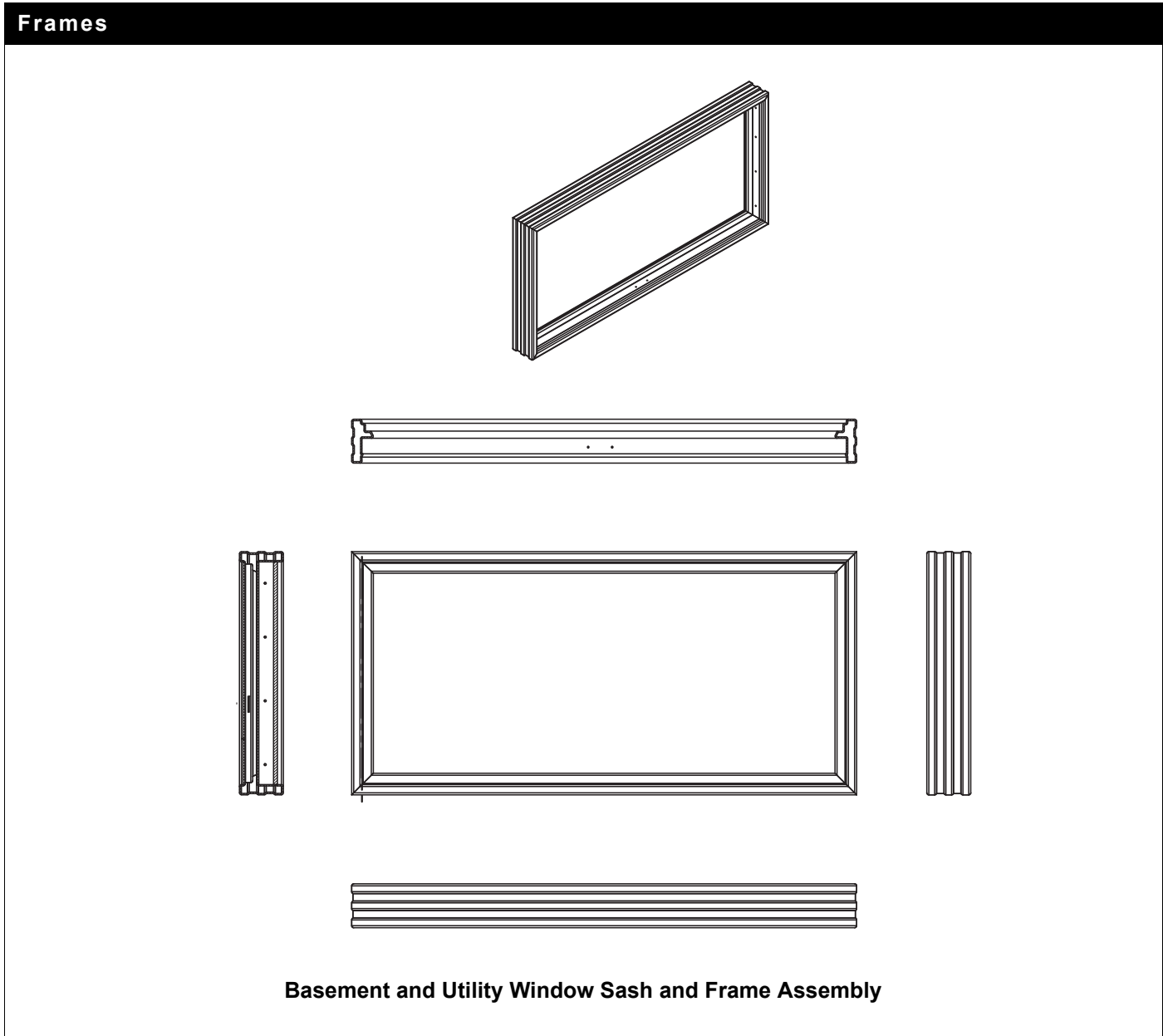
## Hardware

---

Expansion Nut - Nylon		
	<b>Note:</b> Referred to as nylon receiver in hinge replacement guide.	<b>Order No.</b>
		0271436



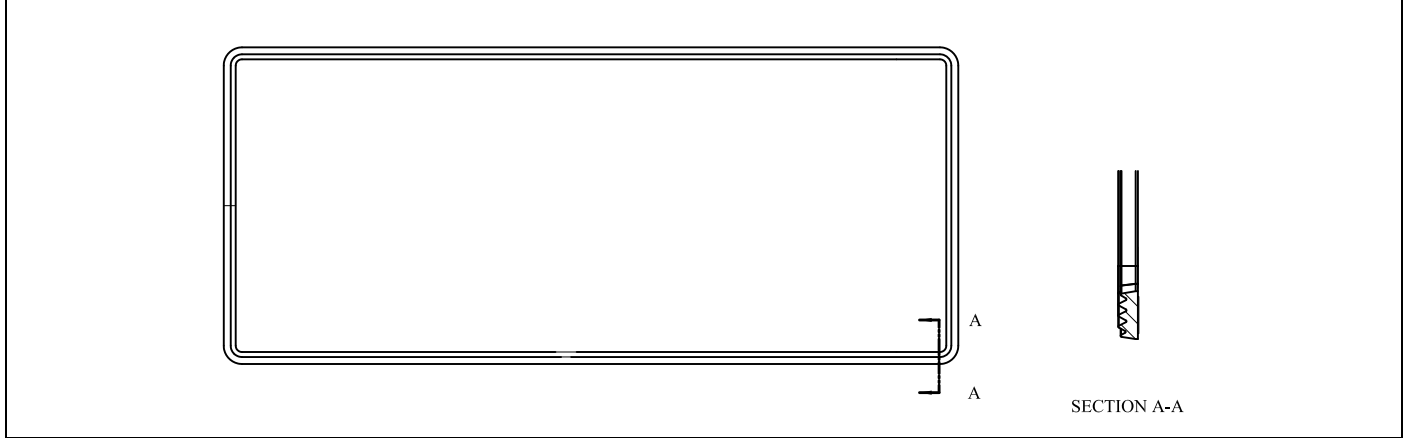
## Frames



Frame			
<b>Note:</b> Service replacement only. Order custom size 100 Series Gliding unit for replacement.	<b>Unit No.</b>	<b>White</b>	<b>Sandtone</b>
	<b>BSMT2813</b>	N/A	N/A
	<b>BSMT2817</b>		
	<b>BSMT2820</b>		

**Frames**

**Weatherstrip**

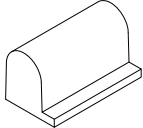


**Weatherstrip**

	Unit No.	Length	White	Sandtone
	BSMT2813	14"	0271041	0271245
	BSMT2817	18"	0271042	0271246
	BSMT2820	22"	0271043	0271247

**Snubber**

**Snubber**

		<b>Finish</b>	<b>Order No.</b>
		White	0271243
		Sandtone	0271244

# Fibrex™ Basement & Utility Windows (2004 to 2009)

Standard Windows

## Miscellaneous Parts

<b>Steel Form</b>			
<b>Steel Form - Basement</b>			
<b>Note:</b> The number after the hyphen in the unit no. represents the thickness of the wall.			
<b>Unit No.</b>	<b>Order No.</b>	<b>Unit No.</b>	<b>Order No.</b>
2813-7 1/2	N/A	2820-9	N/A
2817-7 1/2		2813-9 5/8	
2820-7 1/2		2817-9 5/8	
2813-7 5/8		2820-9 5/8	
2817-7 5/8		2813-10	
2820-7 5/8		2817-10	
2813-8		2820-10	
2817-8		2813-12	
2820-8		2817-12	
2813-9		2820-12	
2817-9			

**Notes**

---

# Fibrex™ Basement & Utility Windows (2004 to 2009)

Service Replacement

Service Replacement Only Part

<b>Cartons</b>		
<b>Cartons / Unit</b>		
	<b>Unit No.</b>	<b>Order No.</b>
	<b>BSMT2813</b>	6905026
	<b>BSMT2817</b>	6905027
	<b>BSMT2820</b>	6905028

<b>Cartons / Unit Bottom</b>		
	<b>Unit No.</b>	<b>Order No.</b>
	<b>BSMT2813</b>	6905041
	<b>BSMT2817</b>	6905042
	<b>BSMT2820</b>	6905043

<b>Cartons / Unit Top</b>		
	<b>Unit No.</b>	<b>Order No.</b>
	<b>BSMT2813</b>	6905038
	<b>BSMT2820</b>	6905039

**Notes**

---